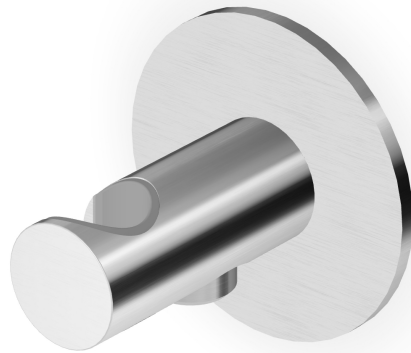


SHOWER

Z93816.X

Appendidoccia duplex. / Wall-mounted shower support.



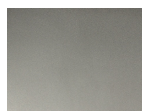
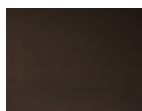
Appendidoccia duplex in acciaio inox AISI 316L, da 1/2"x1/2", per gruppo incasso.

Wall-mounted shower support in AISI 316L stainless steel, 1/2" x 1/2" hose connection.

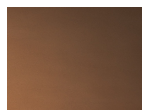
SHOWER

Z93816.X

Finiture / Finishes

**X**Acciaio inox spazzolato /
Brushed stainless steel**XP21**Brushed PVD chocolate /
Brushed PVD chocolate**XP31**Brushed PVD British gold /
Brushed PVD British gold**XP41**Brushed PVD gold / Brushed
PVD gold**XP81**PVD Brushed Total Black /
PVD Brushed Total Black**XP91**Brushed PVD copper /
Brushed PVD copper**XS**Acciaio inox matt / Matt
stainless steel**XSP21**Matt PVD chocolate / Matt
PVD chocolate**XSP31**Matt PVD British gold / Matt
PVD British gold**XSP41**

Matt PVD gold / Matt PVD gold

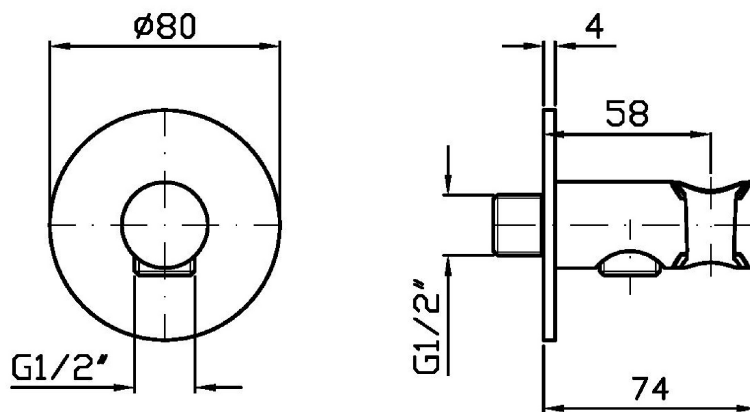
**XSP81**Matt PVD total black / Matt
PVD total black**XSP91**Matt PVD copper / Matt PVD
copper

Note / Notes

SHOWER

Z93816.X

Disegno Complessivo / Overall Drawing

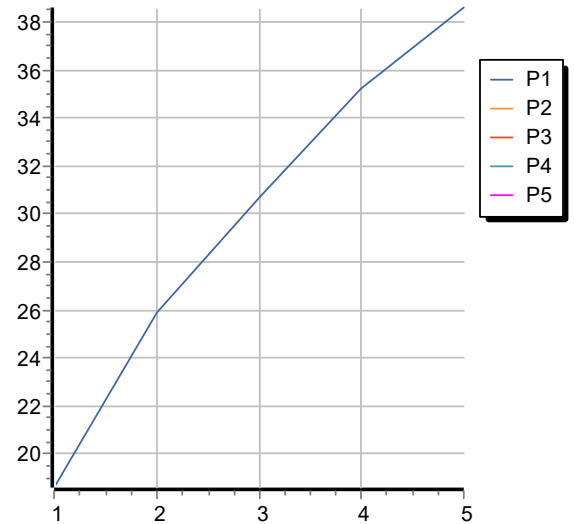


SHOWER

Z93816.X

Portate / Flowrates (lt/min)

PRESSIONE PRESSURE	1 BAR	2 BAR	3 BAR	4 BAR	5 BAR
1 RUBINETTO APERTO P1 1 TAP OPENED	18,6	25,9	30,7	35,2	38,6
P2					
P3					
P4					
P5					



SHOWER

Z93816.X

Pesi e Misure / Weights and Sizes

Peso (Kg) Weight (lb)	0,55 (Kg)	1,21 (lb)
Volume test (dc3) - (in3)	3,32 (dc3)	202,60 (in3)
h (mm) - (in)	93,00 (mm)	3,66 (in)
L1 (mm) - (in)	162,00 (mm)	6,38 (in)
L2 (mm) - (in)	220,00 (mm)	8,66 (in)

