

## SHOWER

Z93770

Bocca cascata. / Blade flow spout.



Bocca di erogazione cascata in acciaio inox.

Blade flow spout stainless steel.

### Finiture / Finishes



Cromo / Chrome

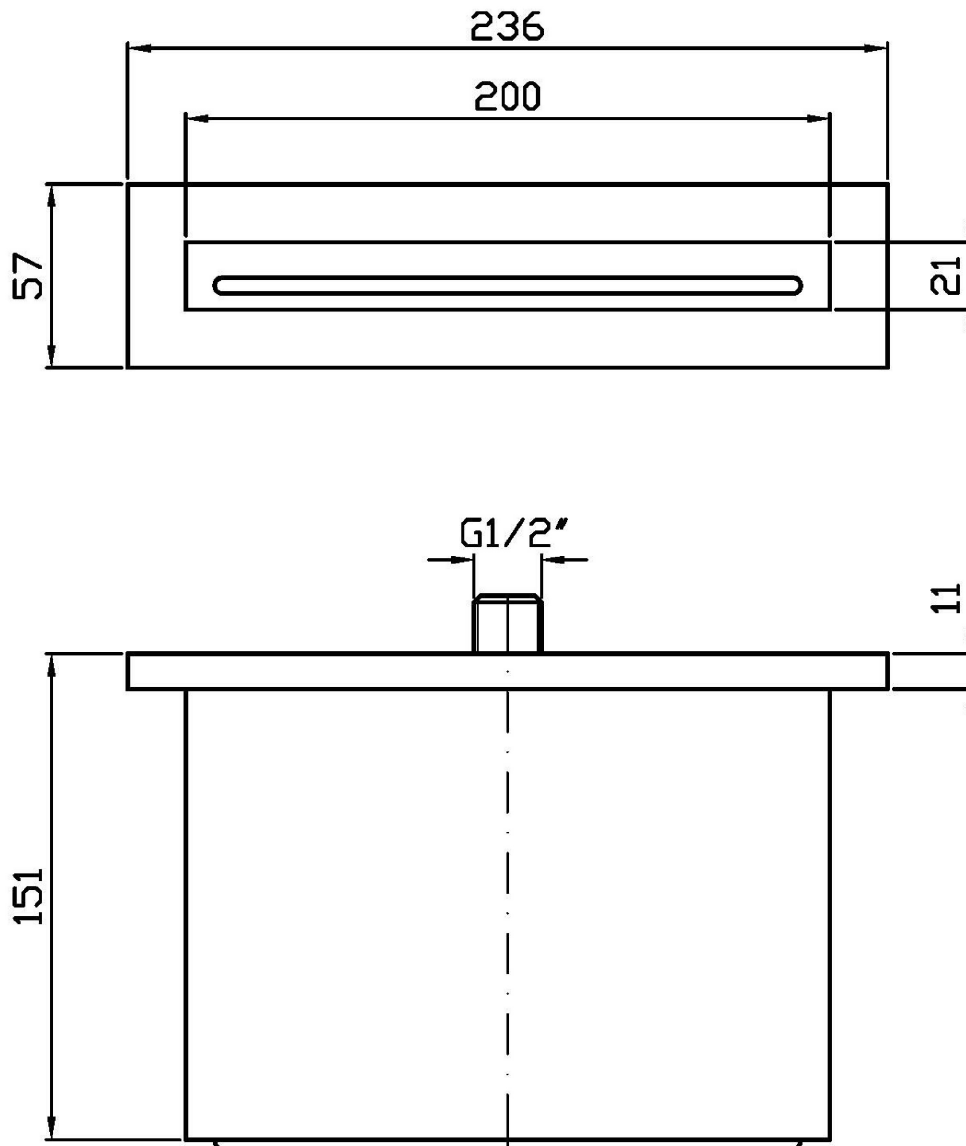


X  
Acciaio inox spazzolato /  
Brushed stainless steel

## SHOWER

Z93770

Disegno Complessivo / Overall Drawing

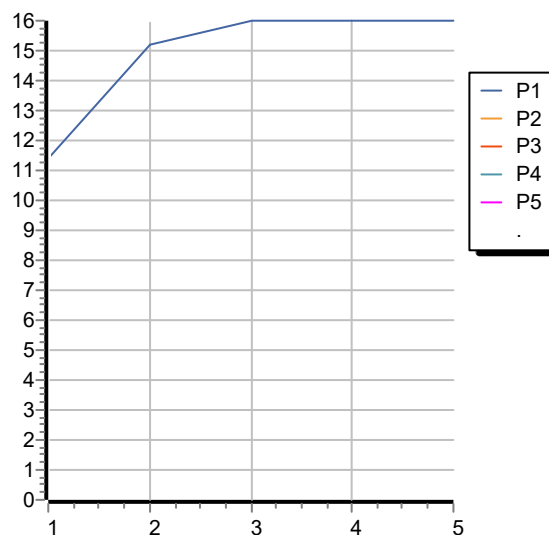


## SHOWER

Z93770

Portate / Flowrates (lt/min)

PRESSIONE PRESSURE	1 BAR	2 BAR	3 BAR	4 BAR	5 BAR
GETTO LAMA BLADE FLOW P1	11,4	15,2	16	16	16
P2					
P3					
P4					
P5					



## SHOWER

Z93770

Pesi e Misure / Weights and Sizes

Peso ( Kg ) Weight ( lb )	2,06 ( Kg )	4,54 ( lb )
Volume test ( dc3 ) - ( in3 )	11,65 ( dc3 )	711,23 ( in3 )
h ( mm ) - ( in )	90,00 ( mm )	3,54 ( in )
L1 ( mm ) - ( in )	350,00 ( mm )	13,78 ( in )
L2 ( mm ) - ( in )	370,00 ( mm )	14,57 ( in )

