

PAN S

Z92261

Bocca di erogazione. / Wall spout.



Bocca di erogazione L 190 mm.

Wall spout L 190 mm.

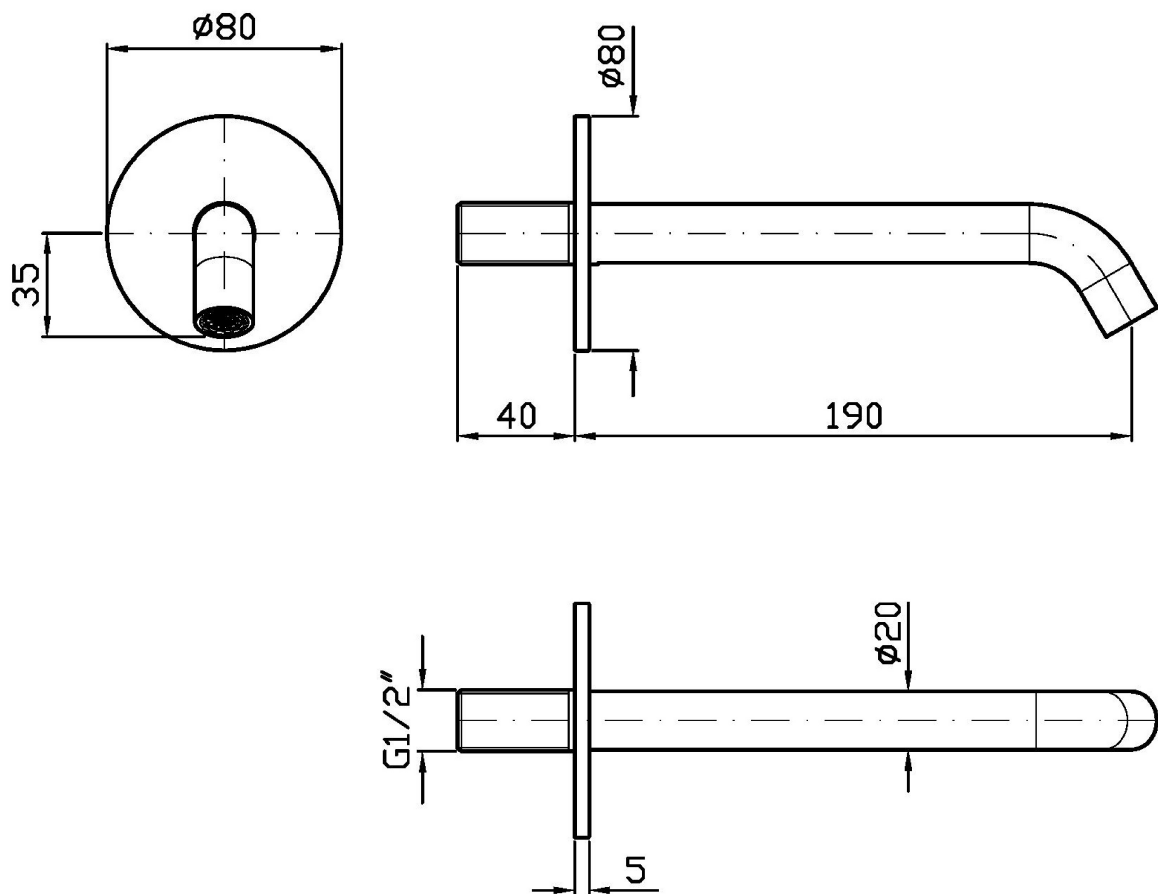
Finiture / Finishes

 Croma / Chrome	 C3 Nickel Spazzolato / Brushed Nickel	 C51 Metal Black spazzolato / Brushed Metal Black	 N6 Nero opaco / Matt black	 P21 PVD brushed chocolate / PVD brushed chocolate	 P31 Brushed PVD British gold / Brushed PVD British gold	 P81 Brushed total black PVD / Brushed total black PVD
 J3 Glossy gesso / Glossy gesso	 K7 Pearl cipria / Pearl cipria	 R6 Pearl chili / Pearl chili	 V7 Pearl salvia / Pearl salvia	 V8 Matt mirto / Matt mirto		

PAN S

Z92261

Disegno Complessivo / Overall Drawing



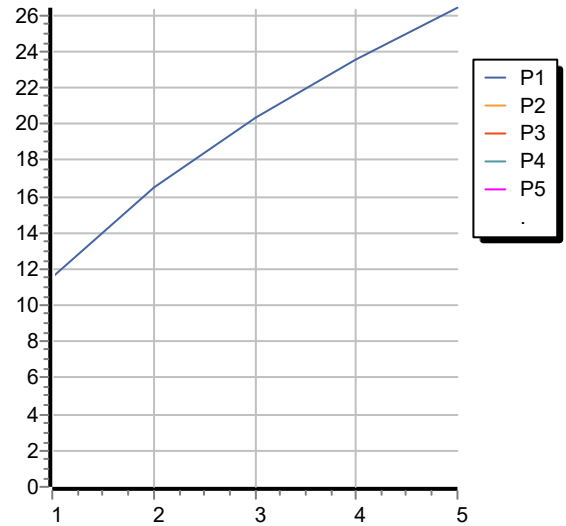
Note / Notes

PAN S

Z92261

Portate / Flowrates (lt/min)

PRESSIONE PRESSURE	1 BAR	2 BAR	3 BAR	4 BAR	5 BAR
P1 BOCCA VASCA WALL SPOUT	11,5	16,5	20,3	23,5	26,4
P2					
P3					
P4					
P5					



PAN S

Z92261

Pesi e Misure / Weights and Sizes

Peso (Kg) Weight (lb)	0,46 (Kg)	1,01 (lb)
Volume test (dc3) - (in3)	1,01 (dc3)	61,63 (in3)
h (mm) - (in)	70,00 (mm)	2,76 (in)
L1 (mm) - (in)	70,00 (mm)	2,76 (in)
L2 (mm) - (in)	205,00 (mm)	8,07 (in)

