

## HELM

Z92255.X

Bocca di erogazione. / Wall spout.



Bocca di erogazione in acciaio inox AISI 316L. Lunghezza 205 mm.

Wall spout in AISI 316L stainless steel. L. 205 mm.

## HELM

Z92255.X

Finiture / Finishes



**X**

Acciaio inox spazzolato /  
Brushed stainless steel



**XP21**

Brushed PVD chocolate /  
Brushed PVD chocolate



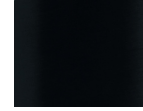
**XP31**

Brushed PVD British gold /  
Brushed PVD British gold



**XP41**

Brushed PVD gold / Brushed  
PVD gold



**XP81**

PVD Brushed Total Black /  
PVD Brushed Total Black



**XP91**

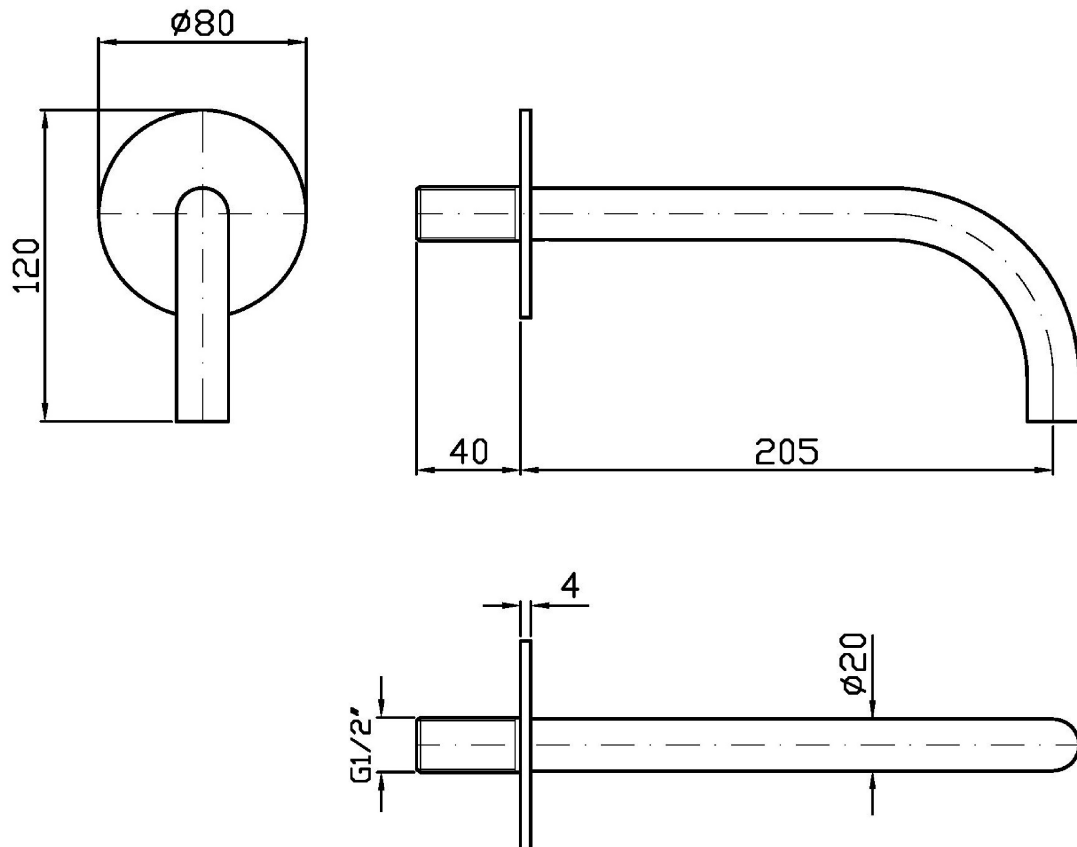
Brushed PVD copper /  
Brushed PVD copper

Note / Notes

## HELM

Z92255.X

Disegno Complessivo / Overall Drawing

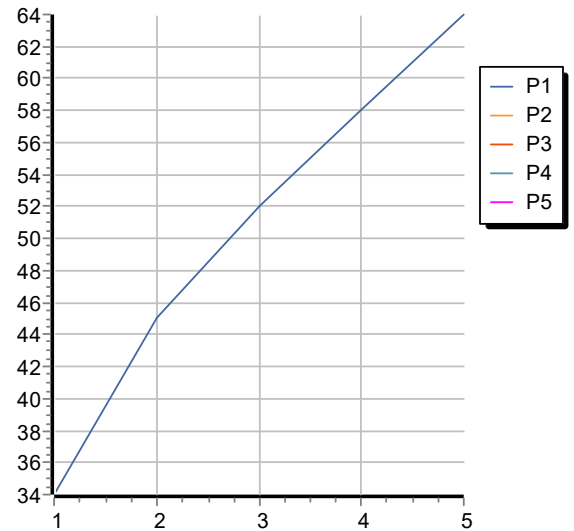


## HELM

Z92255.X

Portate / Flowrates (lt/min)

PRESSIONE PRESSURE	1 BAR	2 BAR	3 BAR	4 BAR	5 BAR
P1 BOCCA VASCA WALL SPOUT	34	45	52	58	64
P2					
P3					
P4					
P5					



## HELM

Z92255.X

Pesi e Misure / Weights and Sizes

Peso ( Kg ) Weight ( lb )	0,70 ( Kg )	1,54 ( lb )
Volume test ( dc3 ) - ( in3 )	1,96 ( dc3 )	119,61 ( in3 )
h ( mm ) - ( in )	30,00 ( mm )	1,18 ( in )
L1 ( mm ) - ( in )	190,00 ( mm )	7,48 ( in )
L2 ( mm ) - ( in )	345,00 ( mm )	13,58 ( in )

