

HELM

Z92245.X

Bocca di erogazione. / Wall spout.



Bocca di erogazione in acciaio inox AISI 316L. Lunghezza 230 mm.

Wall spout in AISI 316L stainless steel. L. 230 mm.

HELM

Z92245.X

Finiture / Finishes



X

Acciaio inox spazzolato /
Brushed stainless steel



XP21

Brushed PVD chocolate /
Brushed PVD chocolate



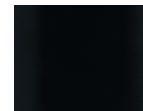
XP31

Brushed PVD British gold /
Brushed PVD British gold



XP41

Brushed PVD gold / Brushed
PVD gold



XP81

PVD Brushed Total Black /
PVD Brushed Total Black



XP91

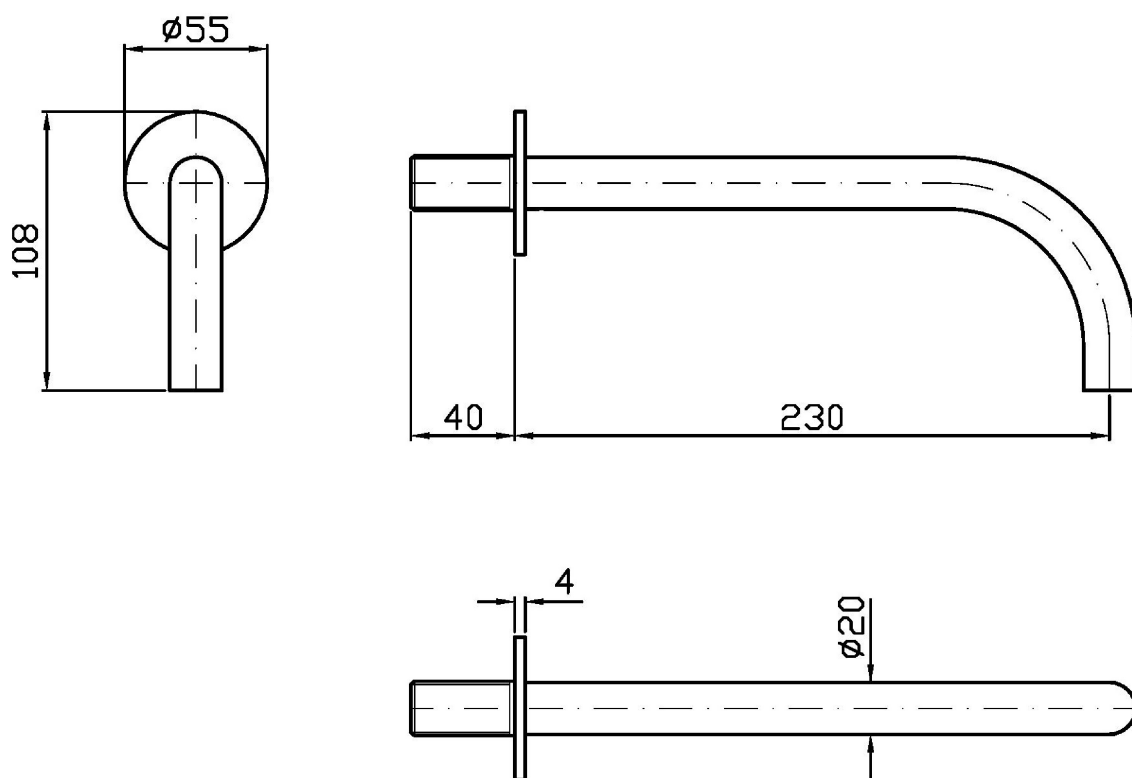
Brushed PVD copper /
Brushed PVD copper

Note / Notes

HELM

Z92245.X

Disegno Complessivo / Overall Drawing



HELM

Z92245.X

Certificazioni / Certifications

INGHILTERRA

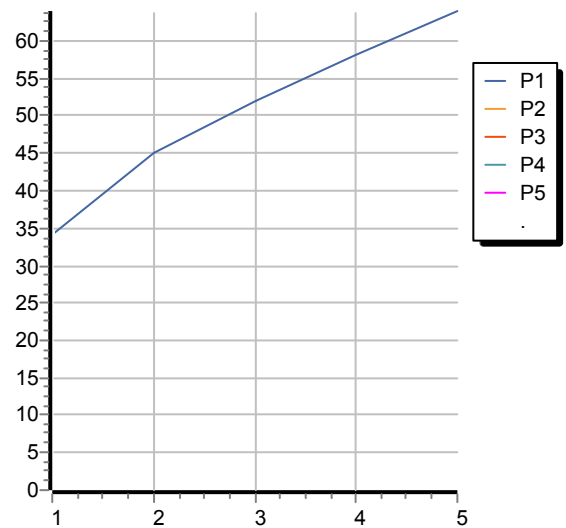
Kiwa Regulation 4

HELM

Z92245.X

Portate / Flowrates (lt/min)

PRESSIONE PRESSURE	1 BAR	2 BAR	3 BAR	4 BAR	5 BAR
BOCCA VASCA WALL SPOUT <i>P1</i>	34	45	52	58	64
<i>P2</i>					
<i>P3</i>					
<i>P4</i>					
<i>P5</i>					



HELM

Z92245.X

Pesi e Misure / Weights and Sizes

Peso (Kg) Weight (lb)	0,65 (Kg)	1,43 (lb)
Volume test (dc3) - (in3)	1,96 (dc3)	119,61 (in3)
h (mm) - (in)	30,00 (mm)	1,18 (in)
L1 (mm) - (in)	190,00 (mm)	7,48 (in)
L2 (mm) - (in)	345,00 (mm)	13,58 (in)

