

## HELM

Z92244.X

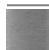



Bocca di erogazione. / Wall spout.



Bocca di erogazione in acciaio inox AISI 316L. Lunghezza 175 mm.

Wall spout in AISI 316L stainless steel. L. 175 mm.

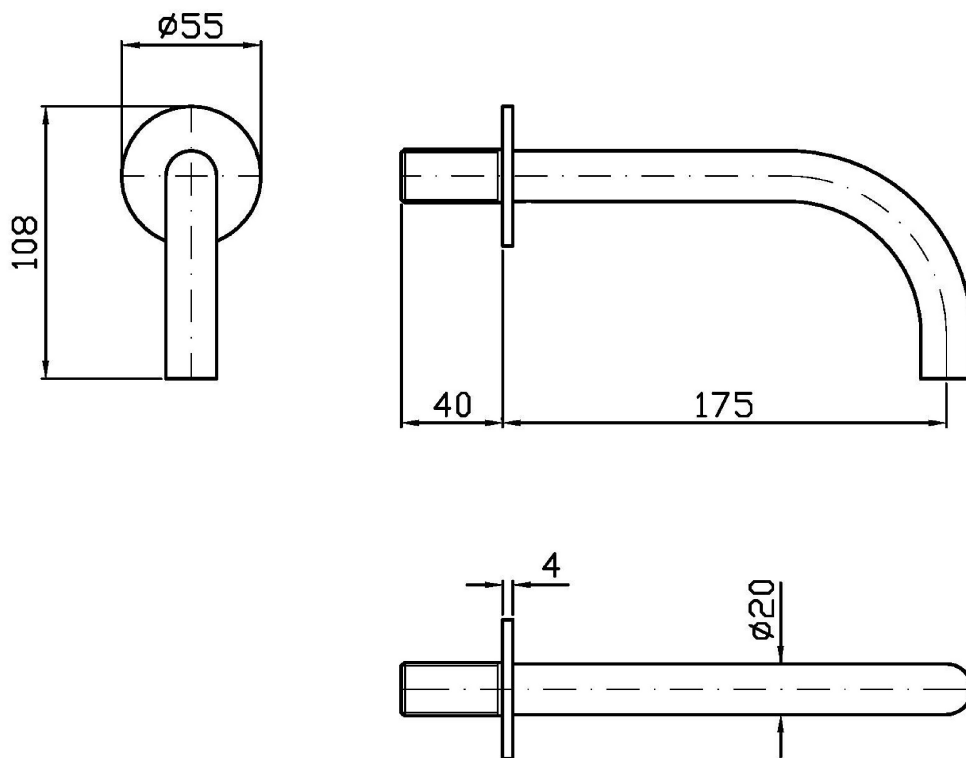
### Finiture / Finishes

 X	 XP21	 XP31	 XP41	 XP81	 XP91
Acciaio inox spazzolato / Brushed stainless steel	Brushed PVD chocolate / Brushed PVD chocolate	Brushed PVD British gold / Brushed PVD British gold	Brushed PVD gold / Brushed PVD gold	PVD Brushed Total Black / PVD Brushed Total Black	Brushed PVD copper / Brushed PVD copper

## HELM

Z92244.X

Disegno Complessivo / Overall Drawing



## HELM

Z92244.X

Certificazioni / Certifications

INGHILTERRA

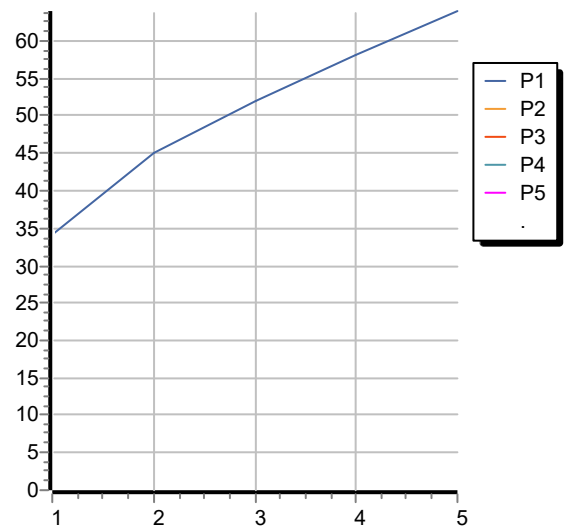
Kiwa Regulation 4

## HELM

Z92244.X

Portate / Flowrates (lt/min)

PRESSIONE PRESSURE	1 BAR	2 BAR	3 BAR	4 BAR	5 BAR
BOCCA VASCA WALL SPOUT <i>P1</i>	34	45	52	58	64
<i>P2</i>					
<i>P3</i>					
<i>P4</i>					
<i>P5</i>					



## HELM

Z92244.X

Pesi e Misure / Weights and Sizes

Peso ( Kg ) Weight ( lb )	0,60 ( Kg )	1,32 ( lb )
Volume test ( dc3 ) - ( in3 )	1,15 ( dc3 )	70,18 ( in3 )
h ( mm ) - ( in )	45,00 ( mm )	1,77 ( in )
L1 ( mm ) - ( in )	134,00 ( mm )	5,28 ( in )
L2 ( mm ) - ( in )	190,00 ( mm )	7,48 ( in )

