

INCASSI_BUILT-IN PARTS

R99676

Parte incasso. / Built-in part.



Parte incasso per miscelatore monocomando free standing.

Built-in part for free standing single lever mixer.

INCASSI_BUILT-IN PARTS

R99676

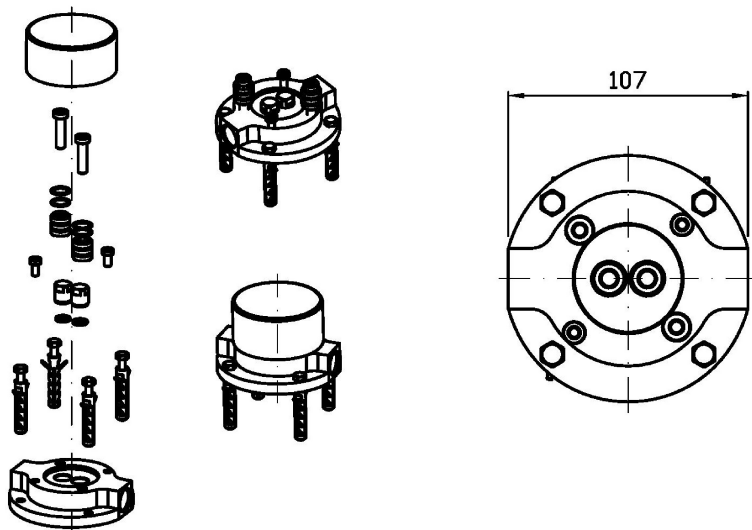
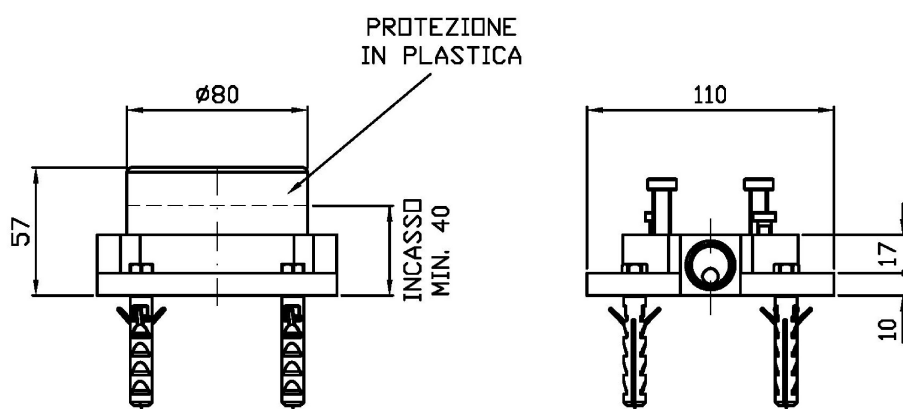
Finiture / Finishes

Note / Notes

INCASSI_BUILT-IN PARTS

R99676

Disegno Complessivo / Overall Drawing



INCASSI_BUILT-IN PARTS

R99676

Pesi e Misure / Weights and Sizes

Peso (Kg) Weight (lb)	1,70 (Kg)	3,75 (lb)
Volume test (dc3) - (in3)	2,55 (dc3)	155,61 (in3)
h (mm) - (in)	100,00 (mm)	3,94 (in)
L1 (mm) - (in)	140,00 (mm)	5,51 (in)
L2 (mm) - (in)	182,00 (mm)	7,17 (in)

