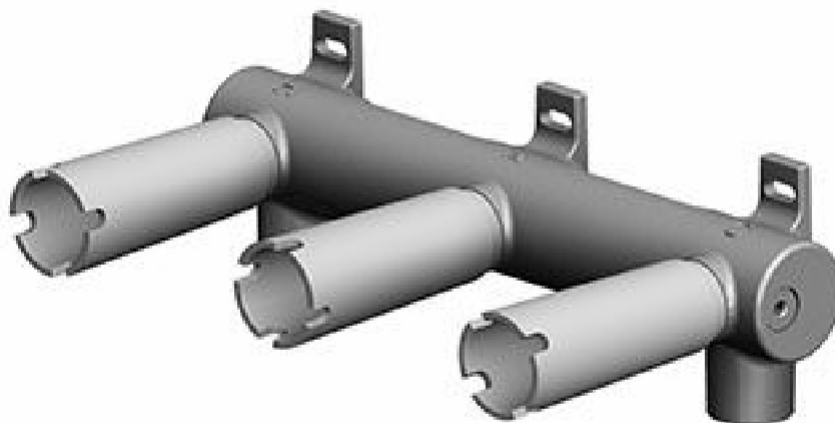


## INCASSI\_BUILT-IN PARTS

R99500

Parte incasso corpo unico. / Assembled built-in part.



Parte incasso per batteria lavabo 3 fori, corpo unico, interasse 200 mm.

Assembled built-in part 3 hole basin mixer, interaxe 200 mm.

## INCASSI\_BUILT-IN PARTS

R99500

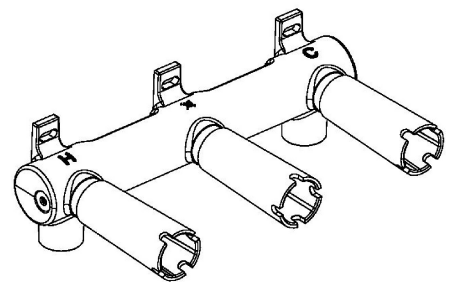
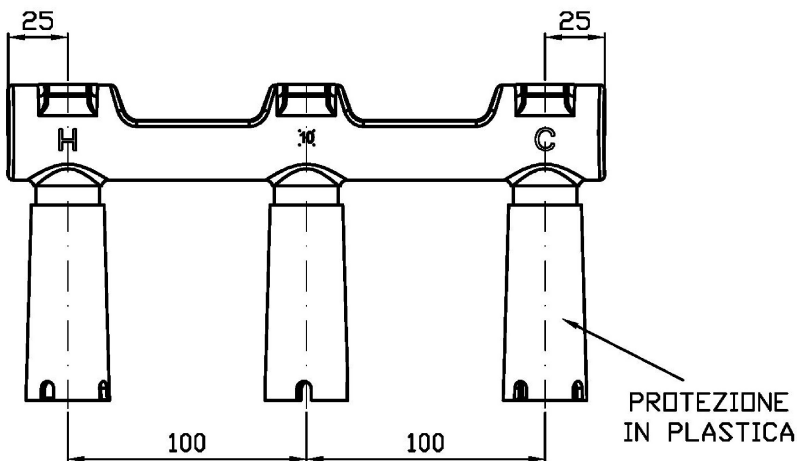
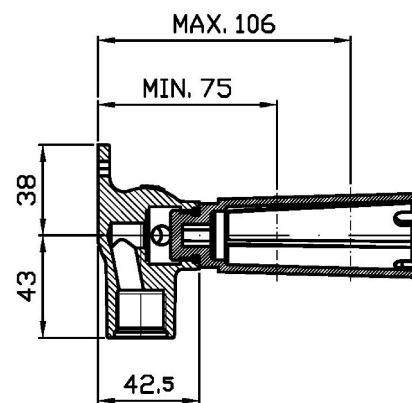
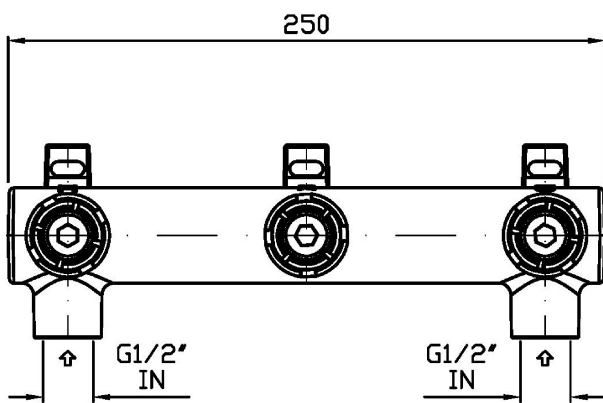
Finiture / Finishes

Note / Notes

## INCASSI\_BUILT-IN PARTS

R99500

Disegno Complessivo / Overall Drawing



## INCASSI\_BUILT-IN PARTS

R99500

Certificazioni / Certifications

INGHILTERRA

SINGAPORE

Kiwa Regulation 4

SETSCO

## INCASSI\_BUILT-IN PARTS

R99500

Pesi e Misure / Weights and Sizes

Peso ( Kg ) Weight ( lb )	2,36 ( Kg )	5,20 ( lb )
Volume test ( dc3 ) - ( in3 )	2,30 ( dc3 )	140,35 ( in3 )
h ( mm ) - ( in )	65,00 ( mm )	2,56 ( in )
L1 ( mm ) - ( in )	107,00 ( mm )	4,21 ( in )
L2 ( mm ) - ( in )	330,00 ( mm )	12,99 ( in )

