

INCASSI_BUILT-IN PARTS

R97800

Zetasystem - Corpo incasso universale / Basin spout Medamedea



Zetasystem - Corpo incasso universale

Basin spout Medamedea

INCASSI_BUILT-IN PARTS

R97800

Finiture / Finishes



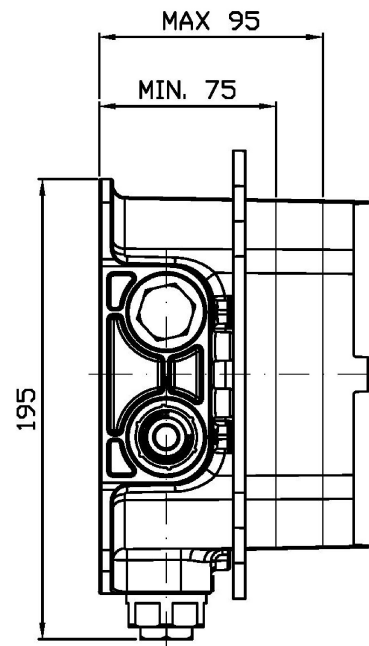
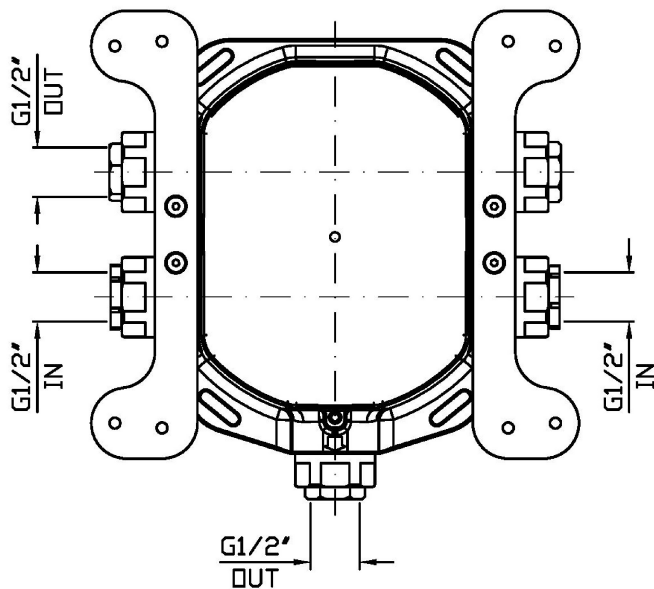
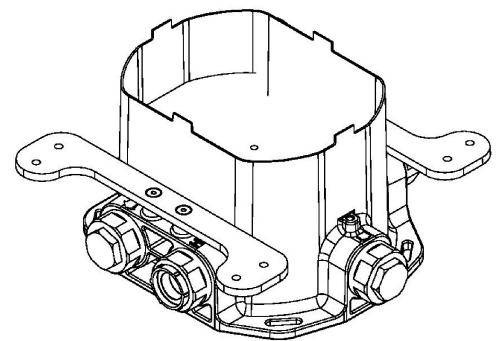
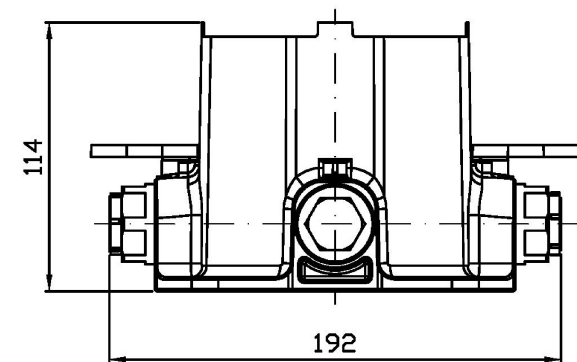
Cromo / Chrome

Note / Notes

INCASSI_BUILT-IN PARTS

R97800

Disegno Complessivo / Overall Drawing

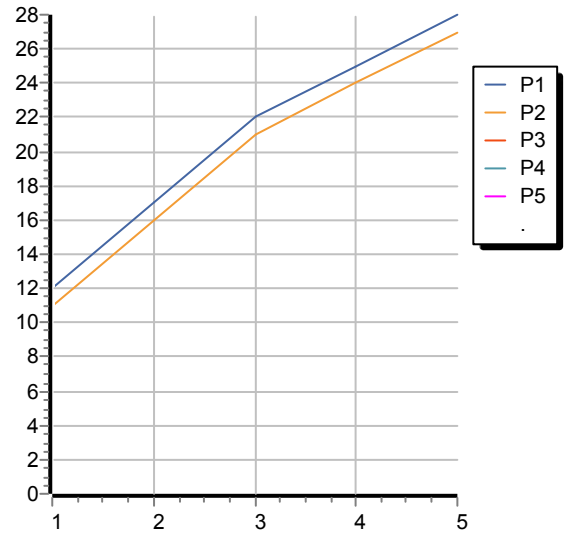


INCASSI_BUILT-IN PARTS

R97800

Portate / Flowrates (lt/min)

PRESSIONE PRESSURE	1 BAR	2 BAR	3 BAR	4 BAR	5 BAR
USCITA PRIMARIA PRIMARY OUTLET <i>P1</i>	12	17	22	25	28
USCITA SECONDARIA SECONDARY OUTLET <i>P2</i>	11	16	21	24	27
<i>P3</i>					
<i>P4</i>					
<i>P5</i>					



INCASSI_BUILT-IN PARTS

R97800

Pesi e Misure / Weights and Sizes

Peso (Kg) Weight (lb)	2,10 (Kg)	4,63 (lb)
Volume test (dc3) - (in3)	2,30 (dc3)	140,35 (in3)
h (mm) - (in)	65,00 (mm)	2,56 (in)
L1 (mm) - (in)	107,00 (mm)	4,21 (in)
L2 (mm) - (in)	330,00 (mm)	12,99 (in)

