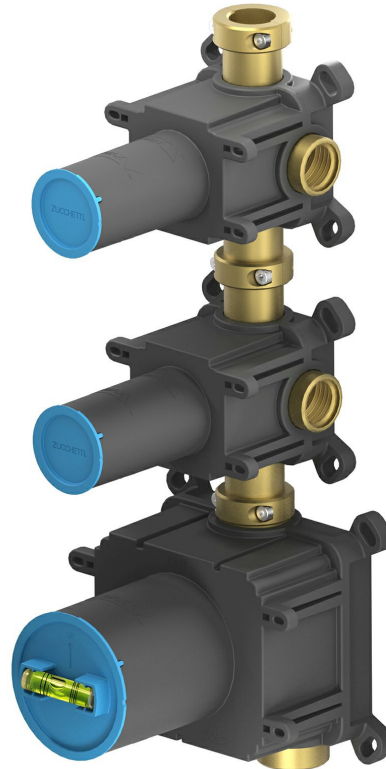


## INCASSI\_BUILT-IN PARTS

R96731

Parte incasso / Built-in part



Parte incasso miscelatore termostatico doccia con 2 rubinetti d'arresto.  
Ingressi da 3/4" e uscite da 1/2".  
Installabile sia in orizzontale che in verticale.

Built-in part - thermostatic shower mixer with 2 stop valves.  
3/4" inlets and 1/2" outlets.  
It can be installed both vertically or horizontally.

## INCASSI\_BUILT-IN PARTS

R96731

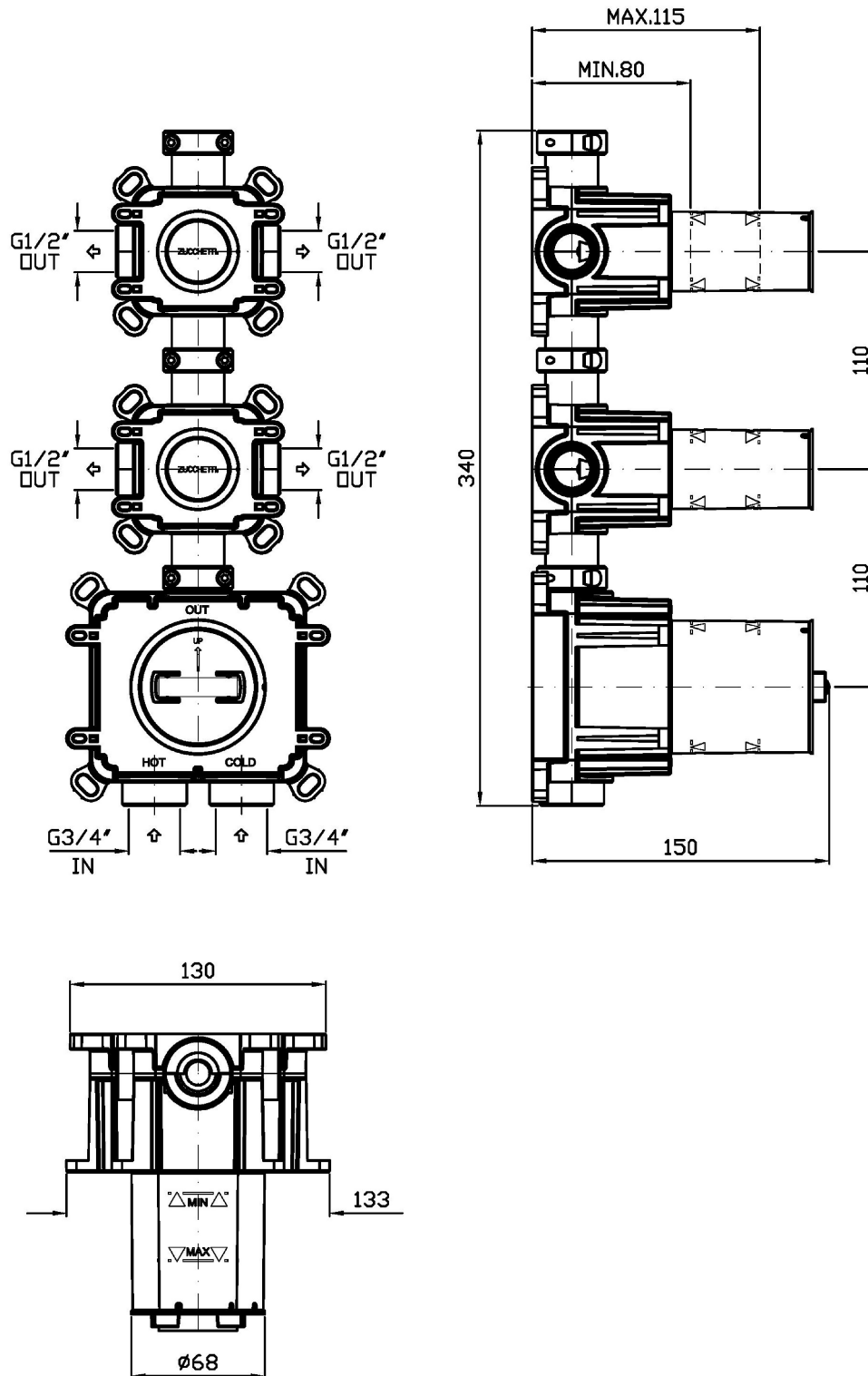
Finiture / Finishes

Note / Notes

## INCASSI\_BUILT-IN PARTS

R96731

Disegno Complessivo / Overall Drawing

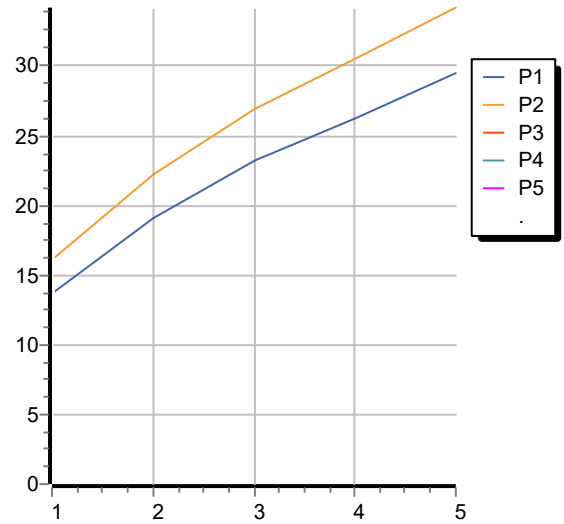


## INCASSI\_BUILT-IN PARTS

R96731

Portate / Flowrates (lt/min)

PRESSIONE PRESSURE	1 BAR	2 BAR	3 BAR	4 BAR	5 BAR
1 RUBINETTO APERTO <i>P1</i>	13,7	19,1	23,2	26,2	29,5
2 RUBINETTI APERTI 2 TAPS OPENED <i>P2</i>	16,1	22,2	27	30,5	34,2
<i>P3</i>					
<i>P4</i>					
<i>P5</i>					



## INCASSI\_BUILT-IN PARTS

R96731

Pesi e Misure / Weights and Sizes

Peso ( Kg ) Weight ( lb )	3,10 ( Kg )	6,83 ( lb )
Volume test ( dc3 ) - ( in3 )	8,40 ( dc3 )	512,60 ( in3 )
h ( mm ) - ( in )	160,00 ( mm )	6,30 ( in )
L1 ( mm ) - ( in )	140,00 ( mm )	5,51 ( in )
L2 ( mm ) - ( in )	375,00 ( mm )	14,76 ( in )

