

## INCASSI\_BUILT-IN PARTS

R96725

Parte incasso / Built-in part



Parte incasso miscelatore monocomando vasca-doccia, deviatore a 2 vie a rotazione.

Built-in part - single lever bath-shower mixer with 2 way rotation diverter.

## INCASSI\_BUILT-IN PARTS

R96725

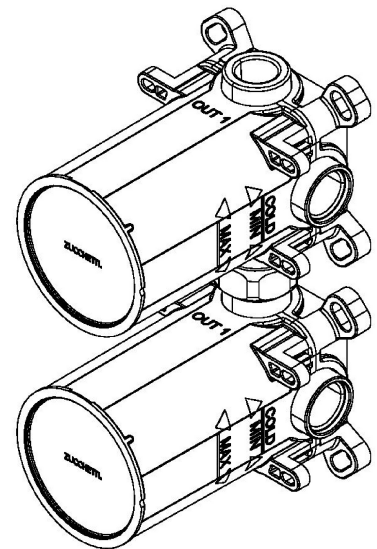
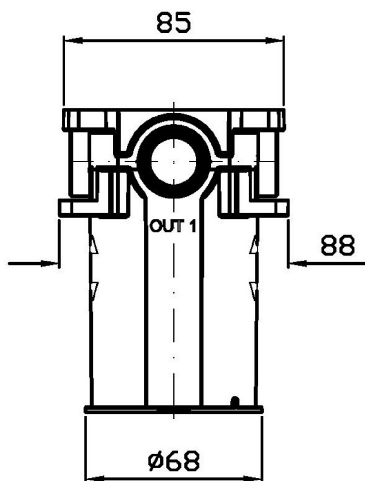
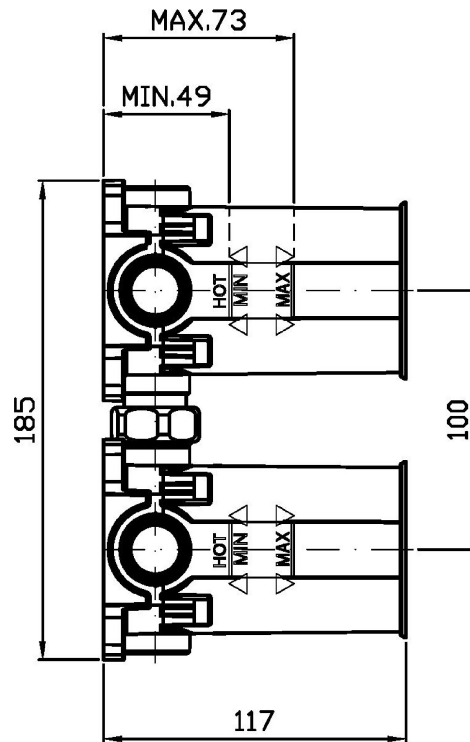
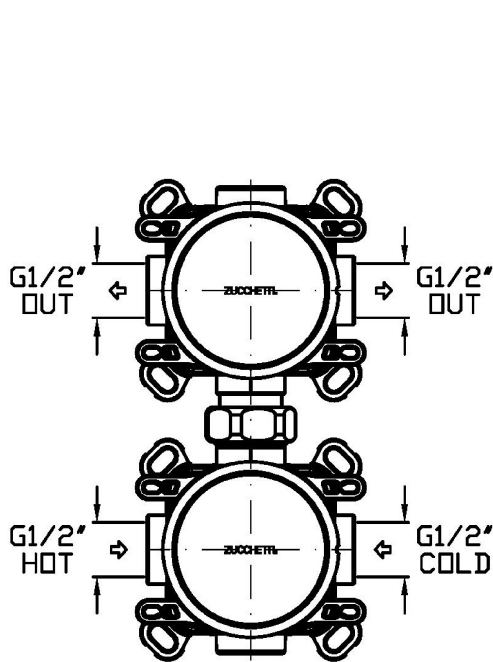
Finiture / Finishes

Note / Notes

## INCASSI\_BUILT-IN PARTS

R96725

Disegno Complessivo / Overall Drawing

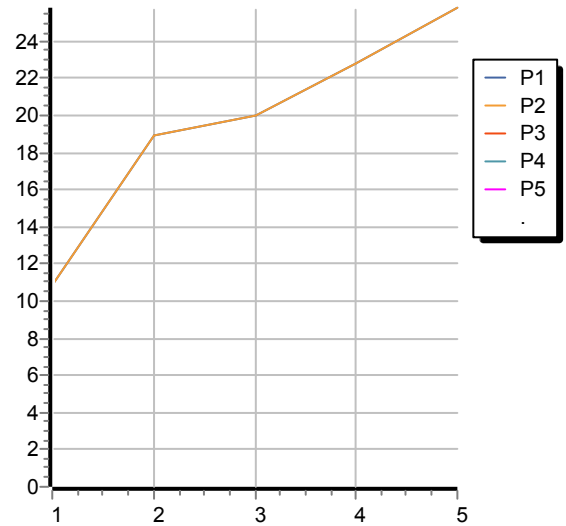


## INCASSI\_BUILT-IN PARTS

R96725

Portate / Flowrates (lt/min)

PRESSIONE PRESSURE	1 BAR	2 BAR	3 BAR	4 BAR	5 BAR
USCITA PRIMARIA PRIMARY OUTLET <i>P1</i>	10,9	18,9	20	22,8	25,8
USCITA SECONDARIA SECONDARY OUTLET <i>P2</i>	10,9	18,9	20	22,8	25,8
<i>P3</i>					
<i>P4</i>					
<i>P5</i>					



## INCASSI\_BUILT-IN PARTS

R96725

Pesi e Misure / Weights and Sizes

Peso ( Kg ) Weight ( lb )	1,80 ( Kg )	3,97 ( lb )
Volume test ( dc3 ) - ( in3 )	2,30 ( dc3 )	140,35 ( in3 )
h ( mm ) - ( in )	125,00 ( mm )	4,92 ( in )
L1 ( mm ) - ( in )	95,00 ( mm )	3,74 ( in )
L2 ( mm ) - ( in )	195,00 ( mm )	7,68 ( in )

