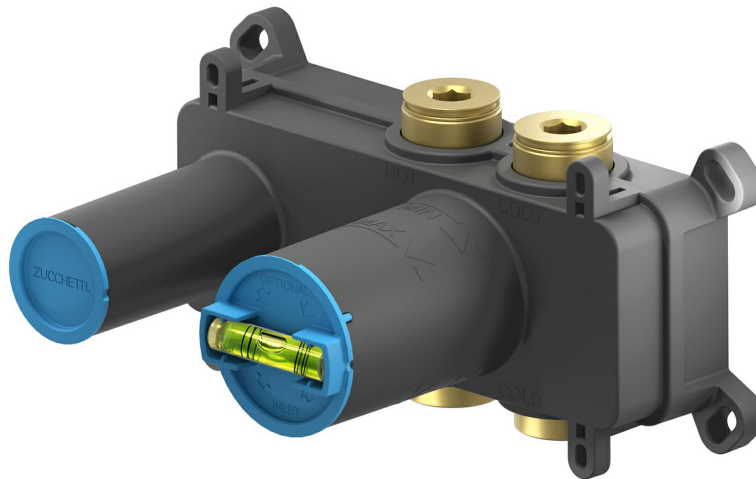


## INCASSI\_BUILT-IN PARTS

R96720

Parte incasso / Built-in part



Parte incasso miscelatore monocomando lavabo a 2 fori.

Built-in part - 2 hole single lever basin mixer.

## INCASSI\_BUILT-IN PARTS

R96720

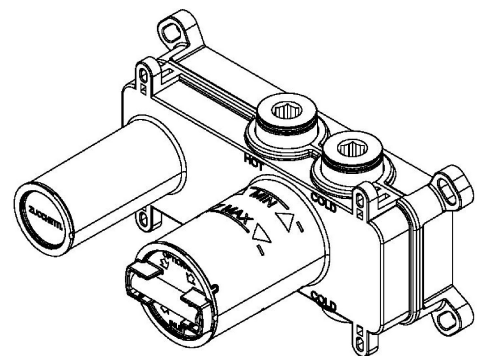
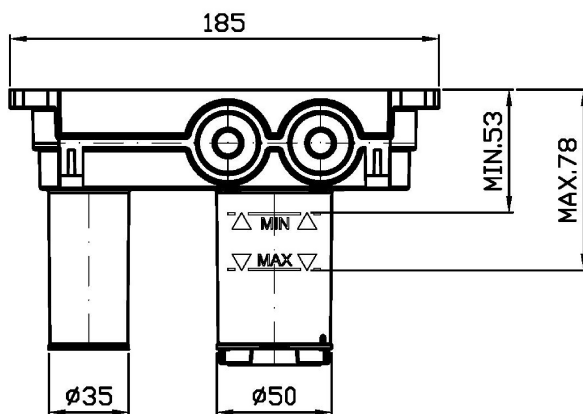
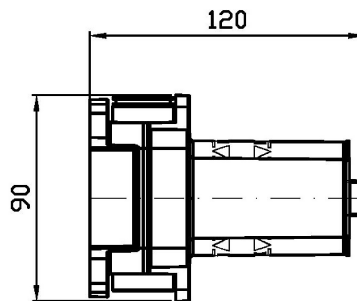
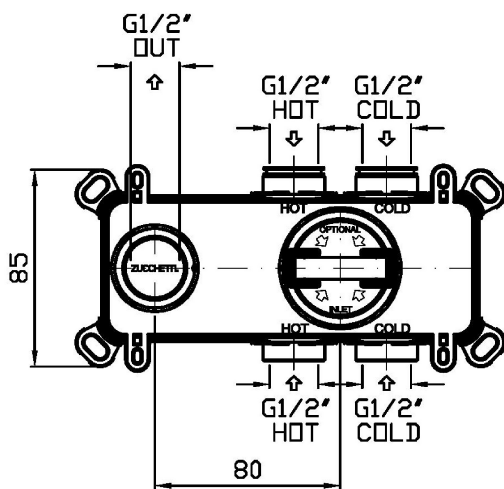
Finiture / Finishes

Note / Notes

## INCASSI\_BUILT-IN PARTS

R96720

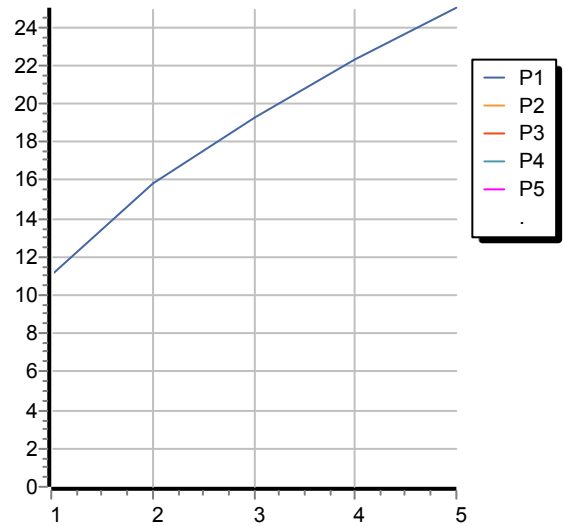
Disegno Complessivo / Overall Drawing



## INCASSI\_BUILT-IN PARTS

R96720 Portate / Flowrates (lt/min)

PRESSIONE PRESSURE	1 BAR	2 BAR	3 BAR	4 BAR	5 BAR
USCITA PRIMARIA PRIMARY OUTLET P1	11	15,8	19,3	22,3	25
P2					
P3					
P4					
P5					



## INCASSI\_BUILT-IN PARTS

R96720 Pesì e Misure / Weights and Sizes

Peso ( Kg ) Weight ( lb )	1,69 ( Kg )	3,73 ( lb )
Volume test ( dc3 ) - ( in3 )	2,30 ( dc3 )	140,35 ( in3 )
h ( mm ) - ( in )	125,00 ( mm )	4,92 ( in )
L1 ( mm ) - ( in )	95,00 ( mm )	3,74 ( in )
L2 ( mm ) - ( in )	195,00 ( mm )	7,68 ( in )

