

## INCASSI\_BUILT-IN PARTS

R96716

Parte incasso / Built-in part



Parte incasso miscelatore monocomando vasca-doccia, deviatore meccanico a pulsante.

Built-in part - single lever bath-shower mixer with mechanical push-button diverter.

## INCASSI\_BUILT-IN PARTS

R96716

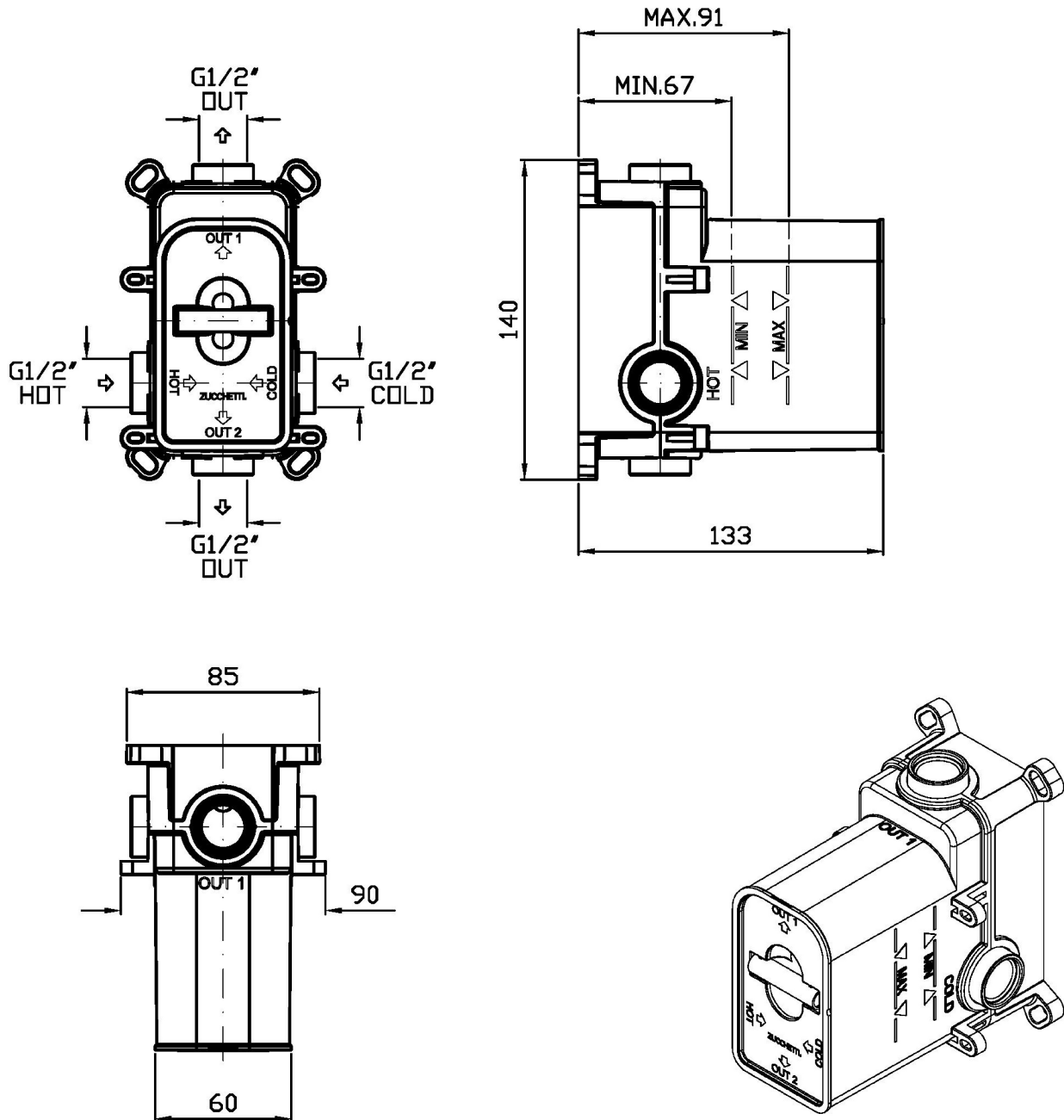
Finiture / Finishes

Note / Notes

## INCASSI\_BUILT-IN PARTS

R96716

Disegno Complessivo / Overall Drawing

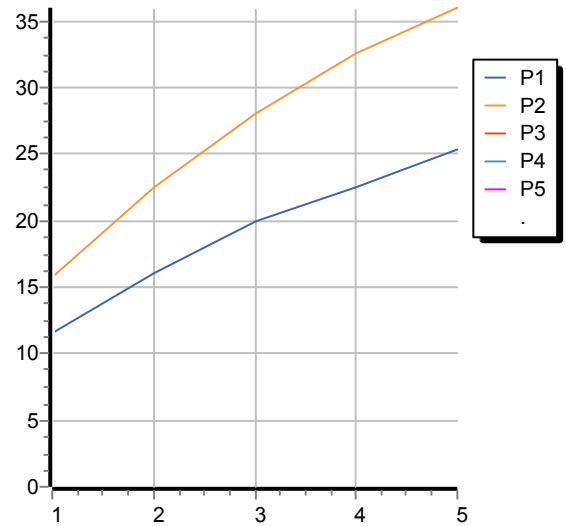


## INCASSI\_BUILT-IN PARTS

R96716

Portate / Flowrates (lt/min)

PRESSIONE PRESSURE	1 BAR	2 BAR	3 BAR	4 BAR	5 BAR
USCITA PRIMARIA PRIMARY OUTLET <i>P1</i>	11,6	16,1	20	22,5	25,3
USCITA SECONDARIA SECONDARY OUTLET <i>P2</i>	15,8	22,5	28	32,5	36
<i>P3</i>					
<i>P4</i>					
<i>P5</i>					



## INCASSI\_BUILT-IN PARTS

R96716

Pesi e Misure / Weights and Sizes

Peso ( Kg ) Weight ( lb )	1,27 ( Kg )	2,80 ( lb )
Volume test ( dc3 ) - ( in3 )	2,00 ( dc3 )	122,05 ( in3 )
h ( mm ) - ( in )	140,00 ( mm )	5,51 ( in )
L1 ( mm ) - ( in )	95,00 ( mm )	3,74 ( in )
L2 ( mm ) - ( in )	150,00 ( mm )	5,91 ( in )

