

INCASSI_BUILT-IN PARTS

R96706

Parte incasso / Built-in part



Parte incasso. Termostatico vasca-doccia con 2 pulsanti on-off.

Built-in part. Thermostatic bath-shower mixer with 2 on-off buttons.

INCASSI_BUILT-IN PARTS

R96706

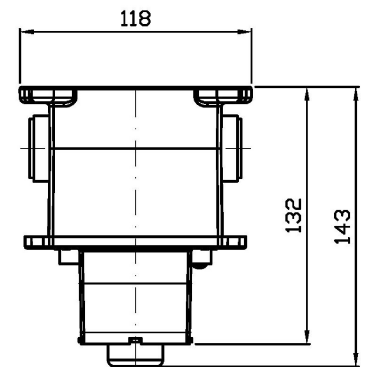
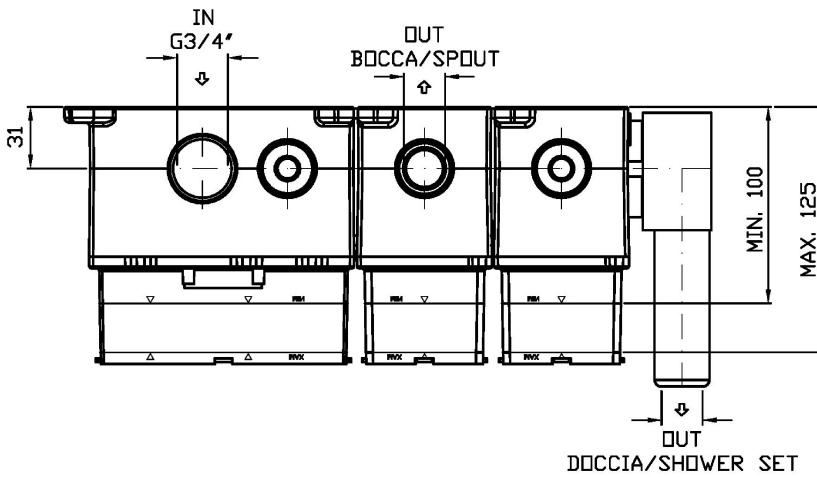
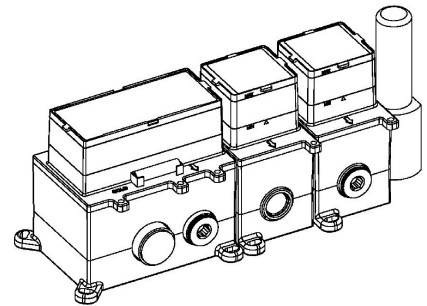
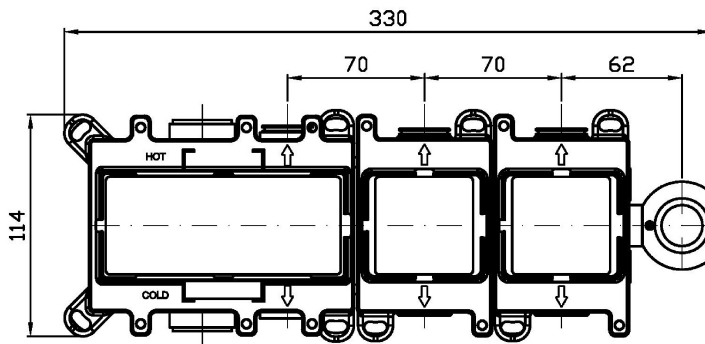
Finiture / Finishes

Note / Notes

INCASSI_BUILT-IN PARTS

R96706

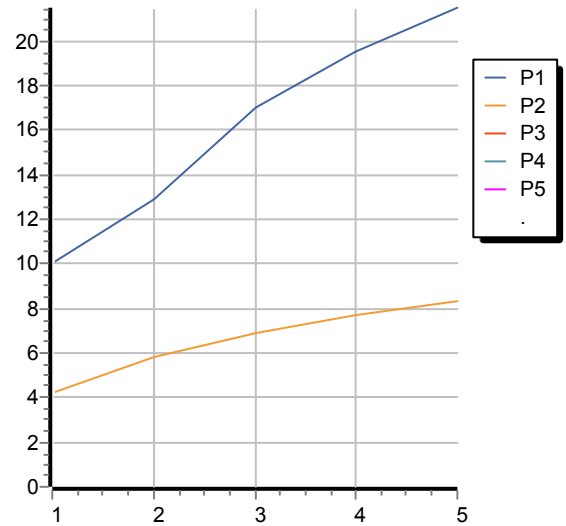
Disegno Complessivo / Overall Drawing



INCASSI_BUILT-IN PARTS

R96706 Portate / Flowrates (lt/min)

PRESSIONE PRESSURE	1 BAR	2 BAR	3 BAR	4 BAR	5 BAR
P1 DOCCETTA HANDSHOWER	4,2	5,8	6,9	7,7	8,3
P2 BOCCA VASCA WALL SPOUT	10	12,9	17	19,5	21,5
P3					
P4					
P5					



INCASSI_BUILT-IN PARTS

R96706 Pesì e Misure / Weights and Sizes

Peso (Kg) Weight (lb)	5,90 (Kg)	13,01 (lb)
Volume test (dc3) - (in3)	12,26 (dc3)	748,15 (in3)
h (mm) - (in)	150,00 (mm)	5,91 (in)
L1 (mm) - (in)	250,00 (mm)	9,84 (in)
L2 (mm) - (in)	327,00 (mm)	12,87 (in)

