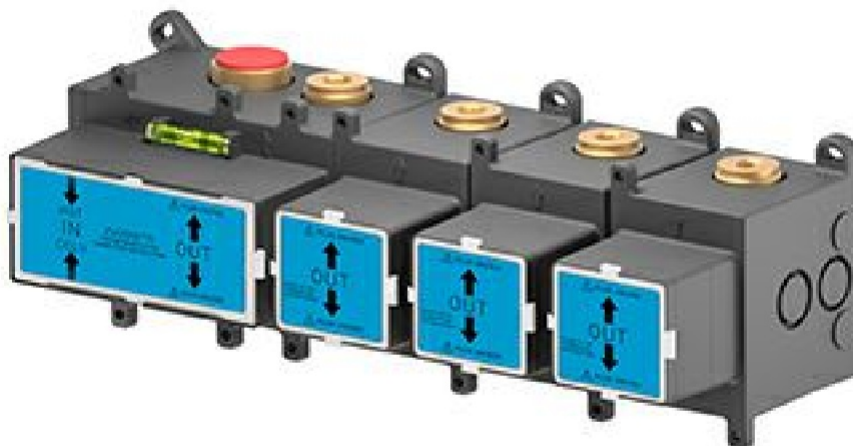


## INCASSI\_BUILT-IN PARTS

R96704

Parte incasso / Built-in part



Parte incasso. Termostatico doccia con 4 pulsanti on-off.

Built-in part. Thermostatic shower mixer with 4 on-off buttons.

## INCASSI\_BUILT-IN PARTS

R96704

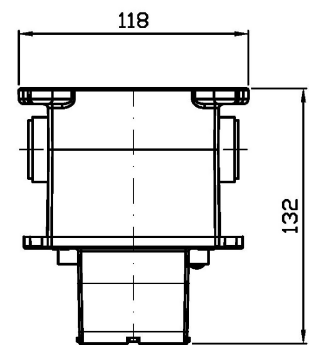
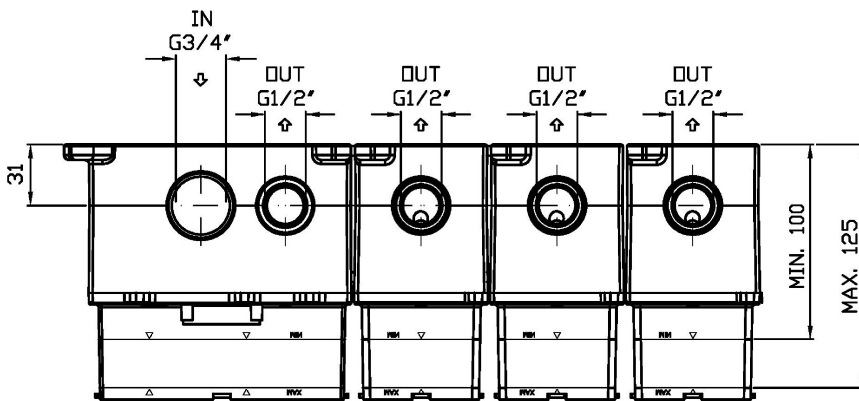
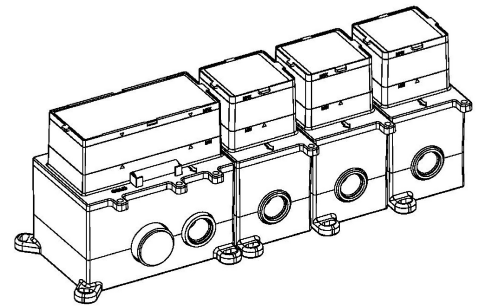
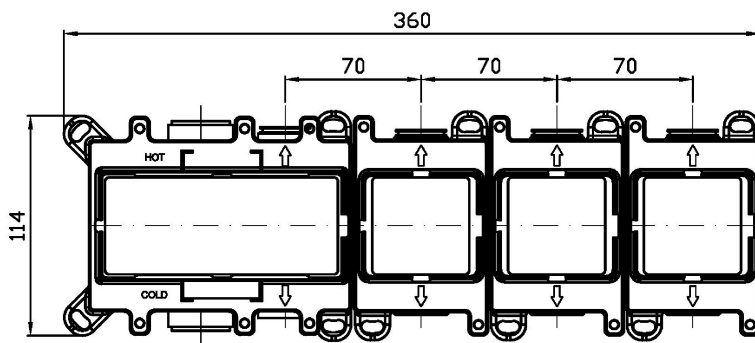
Finiture / Finishes

Note / Notes

## INCASSI\_BUILT-IN PARTS

R96704

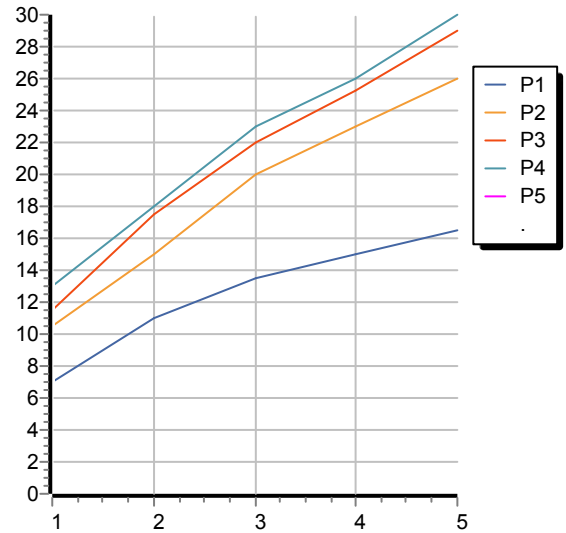
Disegno Complessivo / Overall Drawing



## INCASSI\_BUILT-IN PARTS

R96704 Portate / Flowrates (lt/min)

PRESSIONE PRESSURE	1 BAR	2 BAR	3 BAR	4 BAR	5 BAR
1 RUBINETTO APERTO <i>P1</i>	7	11	13,5	15	16,5
2 RUBINETTO APERTI 2 TAPS OPENED <i>P2</i>	10,5	15	20	23	26
3 RUBINETTO APERTI 3 TAPS OPENED <i>P3</i>	11,5	17,5	22	25,2	29
4 RUBINETTO APERTI 4 TAPS OPENED <i>P4</i>	13	18	23	26	30
<i>P5</i>					



## INCASSI\_BUILT-IN PARTS

R96704 Pesì e Misure / Weights and Sizes

Peso ( Kg ) Weight ( lb )	6,20 ( Kg )	13,67 ( lb )
Volume test ( dc3 ) - ( in3 )	11,03 ( dc3 )	673,09 ( in3 )
h ( mm ) - ( in )	135,00 ( mm )	5,31 ( in )
L1 ( mm ) - ( in )	172,00 ( mm )	6,77 ( in )
L2 ( mm ) - ( in )	475,00 ( mm )	18,70 ( in )

