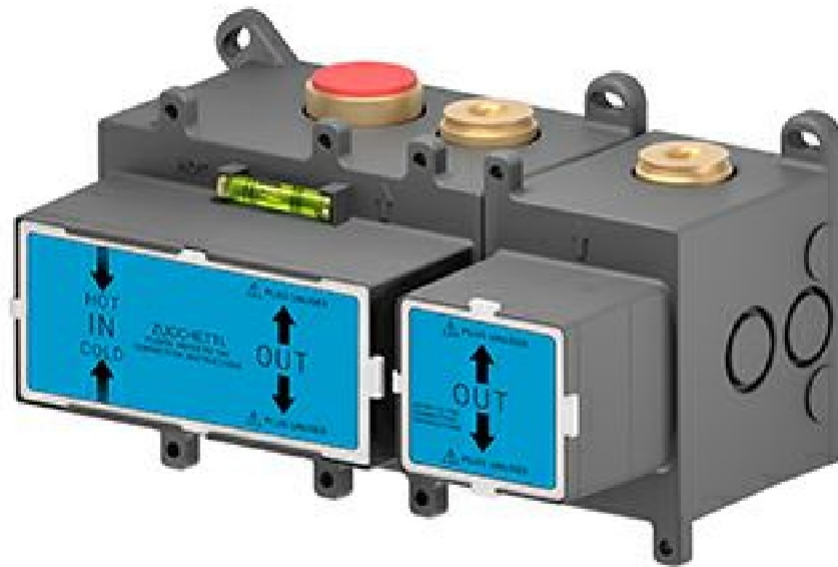


INCASSI_BUILT-IN PARTS

R96702

Parte incasso / Built-in part



Parte incasso. Termostatico doccia con 2 pulsanti on-off.

Built-in part. Thermostatic shower mixer with 2 on-off buttons.

INCASSI_BUILT-IN PARTS

R96702

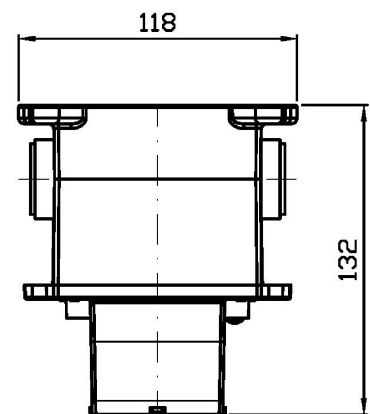
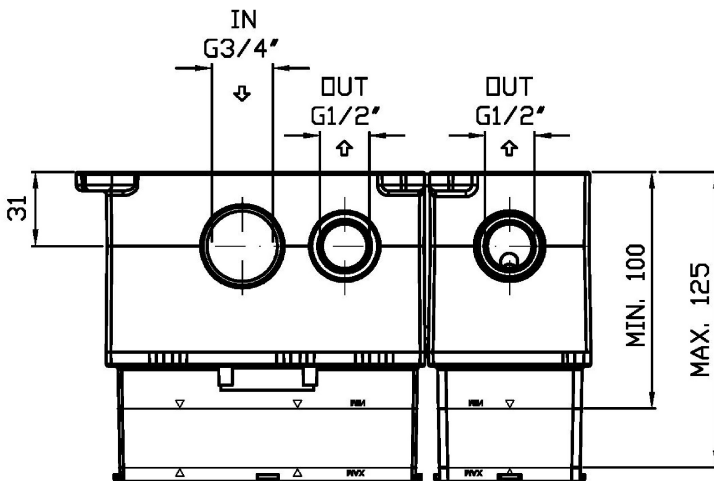
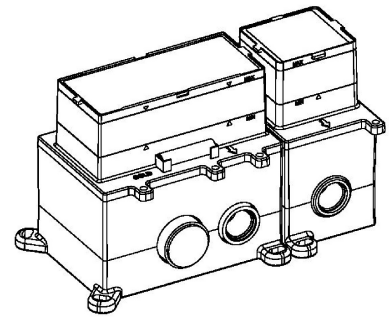
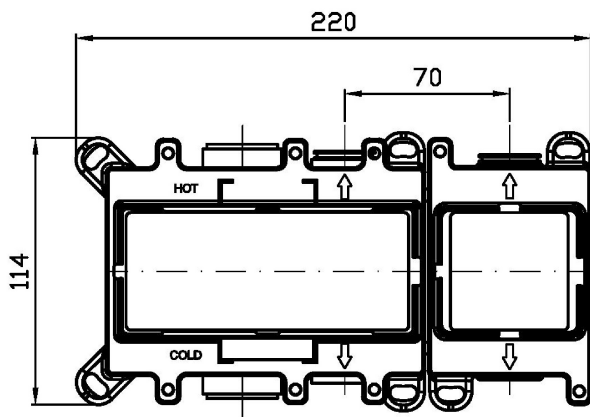
Finiture / Finishes

Note / Notes

INCASSI_BUILT-IN PARTS

R96702

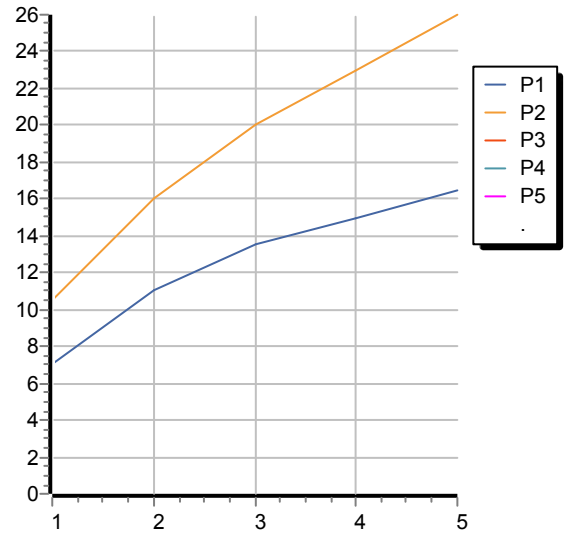
Disegno Complessivo / Overall Drawing



INCASSI_BUILT-IN PARTS

R96702 Portate / Flowrates (lt/min)

PRESSIONE PRESSURE	1 BAR	2 BAR	3 BAR	4 BAR	5 BAR
1 RUBINETTO APERTO <i>P1</i>	7	11	13,5	15	16,5
2 RUBINETTO APERTI 2 TAPS OPENED <i>P2</i>	10,5	16	20	23	26
<i>P3</i>					
<i>P4</i>					
<i>P5</i>					



INCASSI_BUILT-IN PARTS

R96702 Pesì e Misure / Weights and Sizes

Peso (Kg) Weight (lb)	4,15 (Kg)	9,15 (lb)
Volume test (dc3) - (in3)	12,26 (dc3)	748,15 (in3)
h (mm) - (in)	150,00 (mm)	5,91 (in)
L1 (mm) - (in)	250,00 (mm)	9,84 (in)
L2 (mm) - (in)	327,00 (mm)	12,87 (in)

