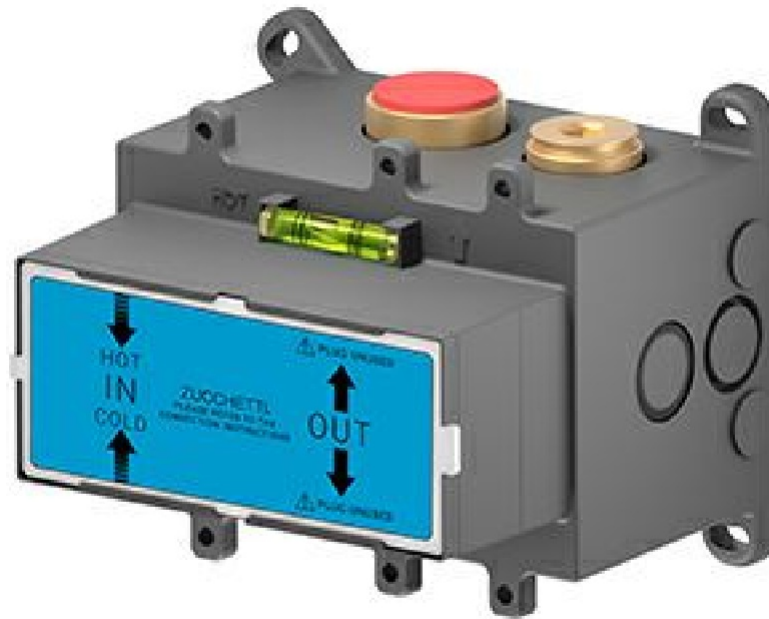


## INCASSI\_BUILT-IN PARTS

R96701

Parte incasso / Built-in part



Parte incasso

Built-in part

## INCASSI\_BUILT-IN PARTS

R96701

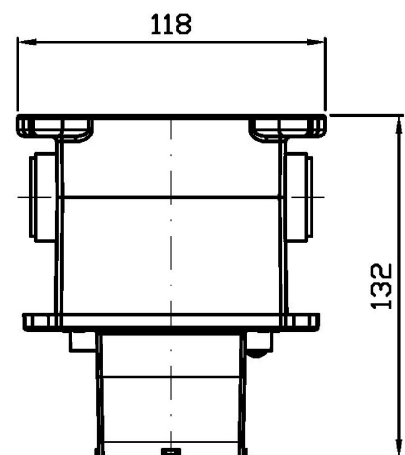
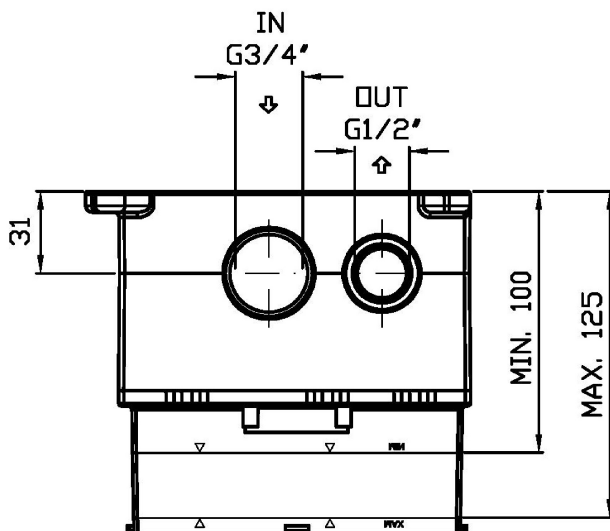
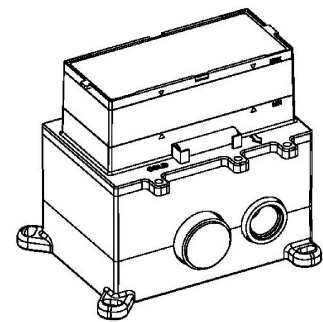
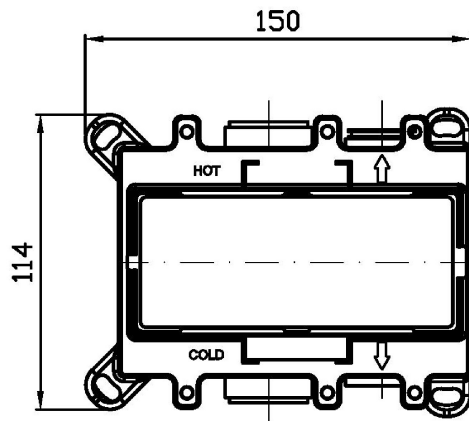
Finiture / Finishes

Note / Notes

## INCASSI\_BUILT-IN PARTS

R96701

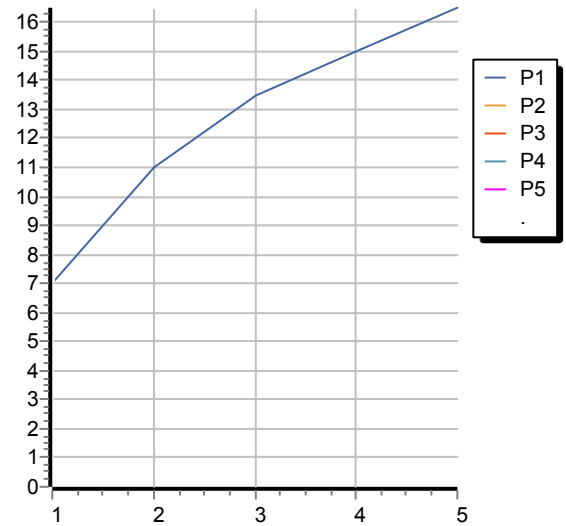
Disegno Complessivo / Overall Drawing



## INCASSI\_BUILT-IN PARTS

R96701 Portate / Flowrates (lt/min)

PRESSIONE PRESSURE	1 BAR	2 BAR	3 BAR	4 BAR	5 BAR
1 RUBINETTO APERTO <i>P1</i>	7	11	13,5	15	16,5
<i>P2</i>					
<i>P3</i>					
<i>P4</i>					
<i>P5</i>					



## INCASSI\_BUILT-IN PARTS

R96701 Pesì e Misure / Weights and Sizes

Peso ( Kg ) Weight ( lb )	2,95 ( Kg )	6,50 ( lb )
Volume test ( dc3 ) - ( in3 )	5,46 ( dc3 )	333,19 ( in3 )
h ( mm ) - ( in )	130,00 ( mm )	5,12 ( in )
L1 ( mm ) - ( in )	200,00 ( mm )	7,87 ( in )
L2 ( mm ) - ( in )	210,00 ( mm )	8,27 ( in )

