

Marchio / Brand ZUCCHETTI

Classe / Class WIND

WIND

ZWN090

Miscelatore monocomando incasso doccia. / Built-in single lever shower mixer.



Miscelatore monocomando incasso doccia con deviatore, per corpo incasso universale Zetasystem R97800. Cartuccia con limitatore di portata e temperatura.

Built-in single lever shower mixer with diverter, for Zetasystem (R97800) universal built-in body. Cartridge with both flow and temperature reducer.

R97800

Zetasystem - Corpo incasso universale /
Zetasystem - universal built-in body



Finiture / Finishes

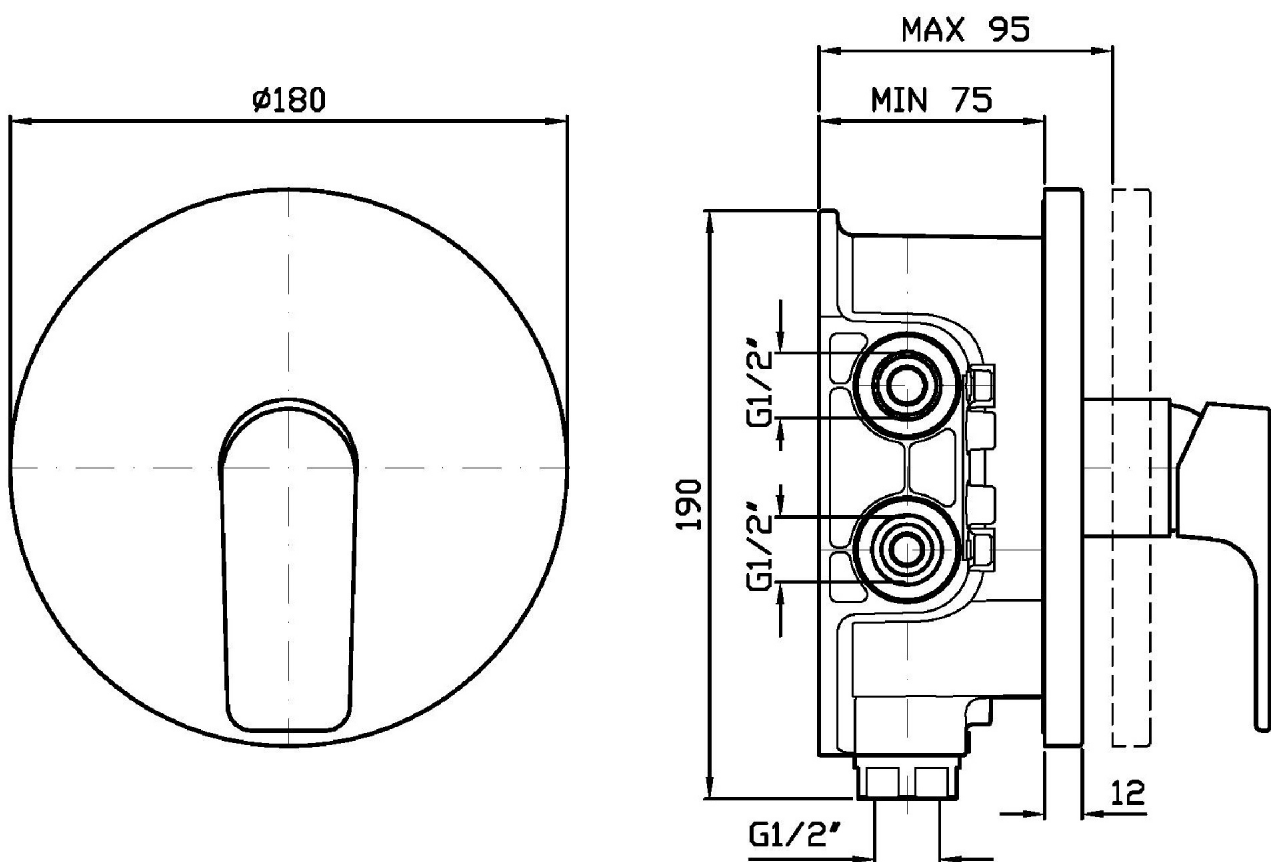


Cromo / Chrome

WIND

ZWN090

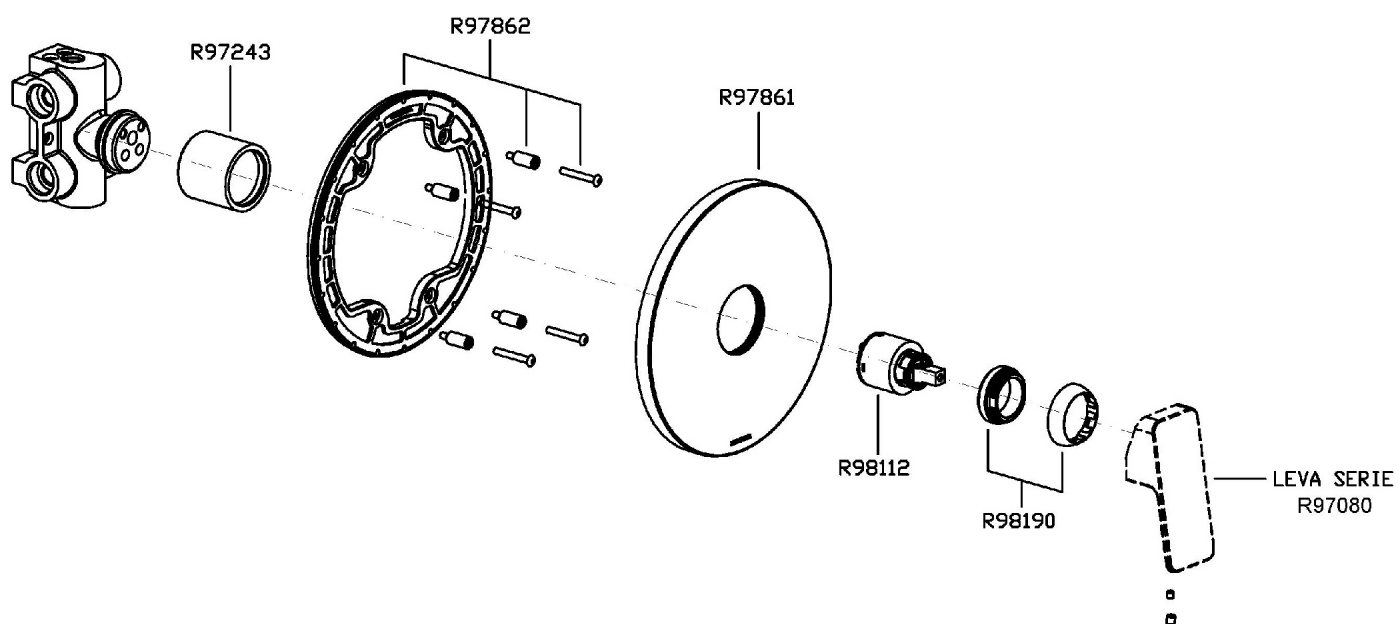
Disegno Complessivo / Overall Drawing



WIND

ZWN090

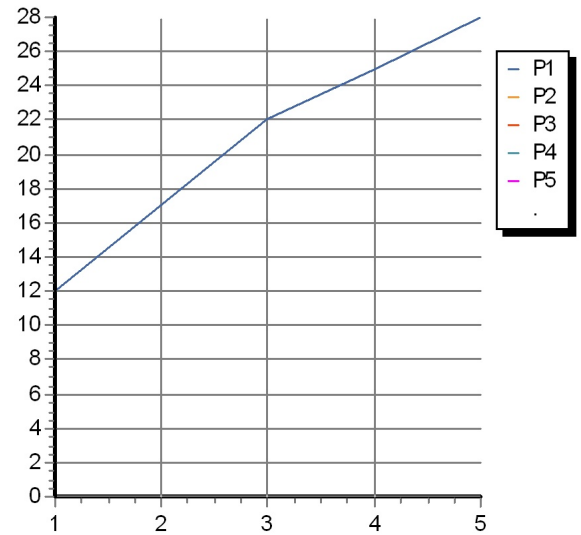
Esplosi / Exploded



WIND

ZWN090 Portate / Flowrates (lt/min)

| PRESSIONE PRESSURE | 1 BAR | 2 BAR | 3 BAR | 4 BAR | 5 BAR |
|--|-------|-------|-------|-------|-------|
| USCITA PRIMARIA PRIMARY OUTLET <i>P1</i> | 12 | 17 | 22 | 25 | 28 |
| <i>P2</i> | | | | | |
| <i>P3</i> | | | | | |
| <i>P4</i> | | | | | |
| <i>P5</i> | | | | | |



WIND

ZWN090 Pesì e Misure / Weights and Sizes

| | | |
|-------------------------------|---------------|----------------|
| Peso (Kg) Weight (lb) | 3,07 (Kg) | 6,77 (lb) |
| Volume test (dc3) - (in3) | 7,50 (dc3) | 457,68 (in3) |
| h (mm) - (in) | 90,00 (mm) | 3,54 (in) |
| L1 (mm) - (in) | 250,00 (mm) | 9,84 (in) |
| L2 (mm) - (in) | 333,00 (mm) | 13,11 (in) |

