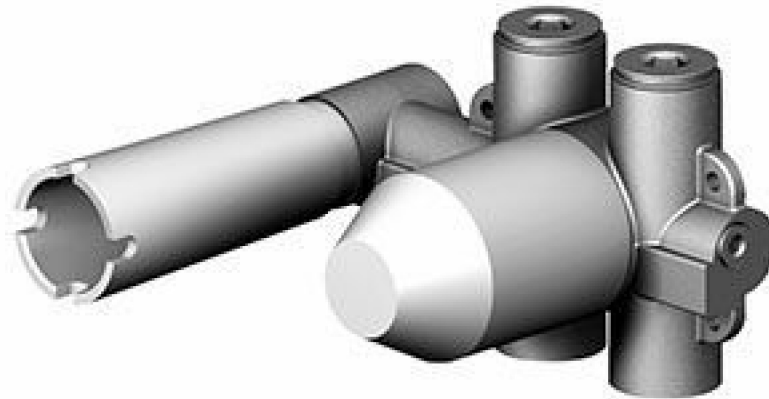


## INCASSI\_BUILT-IN PARTS

R99815

Parte incasso. / Built-in part.



Parte incasso a corpo unico, per monocomando lavabo a due fori, interasse 80 mm.

One piece built-in part for 2 hole basin mixer, interaxe 80 mm.

## Finiture / Finishes



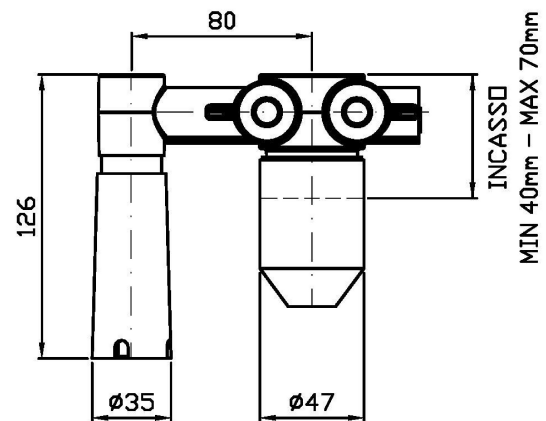
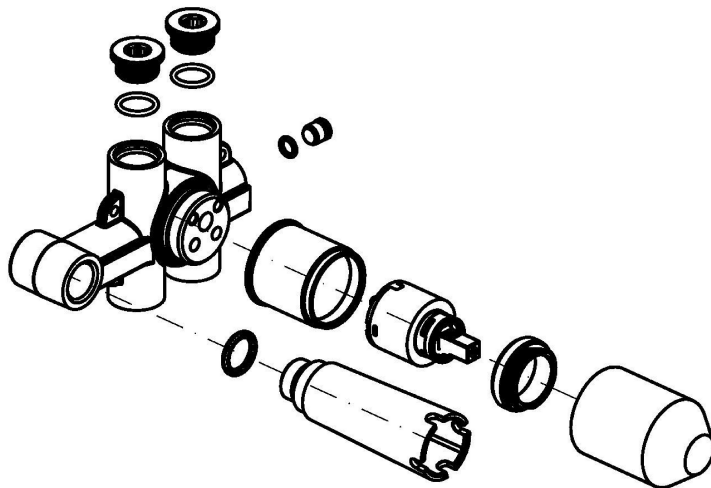
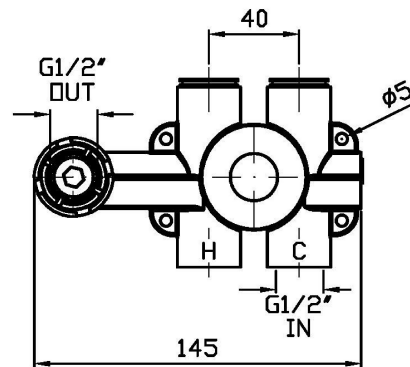
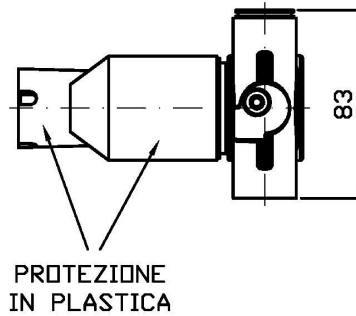
Cromo / Chrome

## INCASSI\_BUILT-IN PARTS

R99815

Disegno Complessivo / Overall Drawing

FORO MINIMO SUGGERITO  
SUL RIVESTIMENTO:  
Ø50mm (CORPO)  
Ø38mm (DEVIATORE)



## INCASSI\_BUILT-IN PARTS

R99815

Pesi e Misure / Weights and Sizes

Peso ( Kg ) Weight ( lb )	1,58 ( Kg )	3,48 ( lb )
Volume test ( dc3 ) - ( in3 )	2,55 ( dc3 )	155,61 ( in3 )
h ( mm ) - ( in )	100,00 ( mm )	3,94 ( in )
L1 ( mm ) - ( in )	140,00 ( mm )	5,51 ( in )
L2 ( mm ) - ( in )	182,00 ( mm )	7,17 ( in )

