

## INCASSI\_BUILT-IN PARTS

R99779

Parte incasso. / Built-in part.



Parte incasso per rubinetto da 1/2".

Built-in part for 1/2" valve.

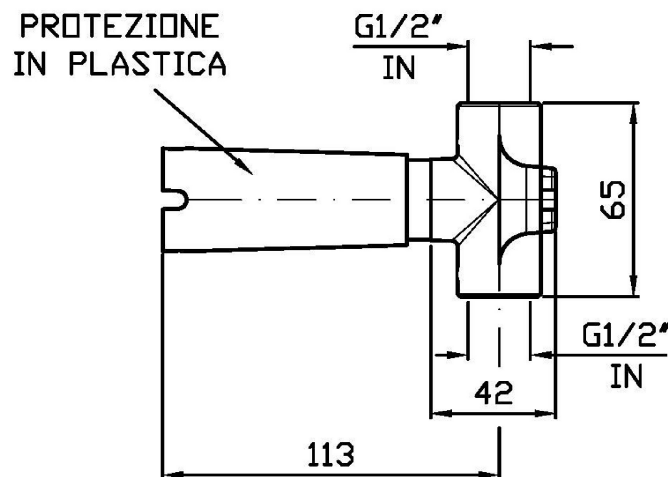
### Finiture / Finishes

---

## INCASSI\_BUILT-IN PARTS

R99779

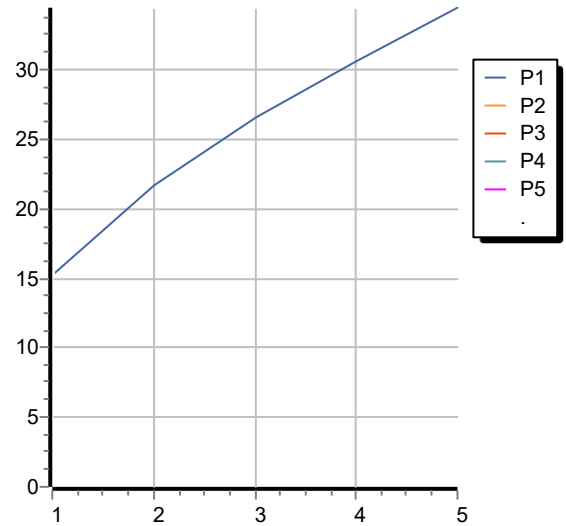
Disegno Complessivo / Overall Drawing



## INCASSI\_BUILT-IN PARTS

R99779 Portate / Flowrates (lt/min)

PRESSIONE PRESSURE	1 BAR	2 BAR	3 BAR	4 BAR	5 BAR
1 RUBINETTO APERTO <i>P1</i>	15,3	21,7	26,6	30,6	34,5
<i>P2</i>					
<i>P3</i>					
<i>P4</i>					
<i>P5</i>					



## INCASSI\_BUILT-IN PARTS

R99779 Pesì e Misure / Weights and Sizes

Peso ( Kg ) Weight ( lb )	0,48 ( Kg )	1,06 ( lb )
Volume test ( dc3 ) - ( in3 )	0,91 ( dc3 )	55,53 ( in3 )
h ( mm ) - ( in )	66,00 ( mm )	2,60 ( in )
L1 ( mm ) - ( in )	111,00 ( mm )	4,37 ( in )
L2 ( mm ) - ( in )	123,00 ( mm )	4,84 ( in )

