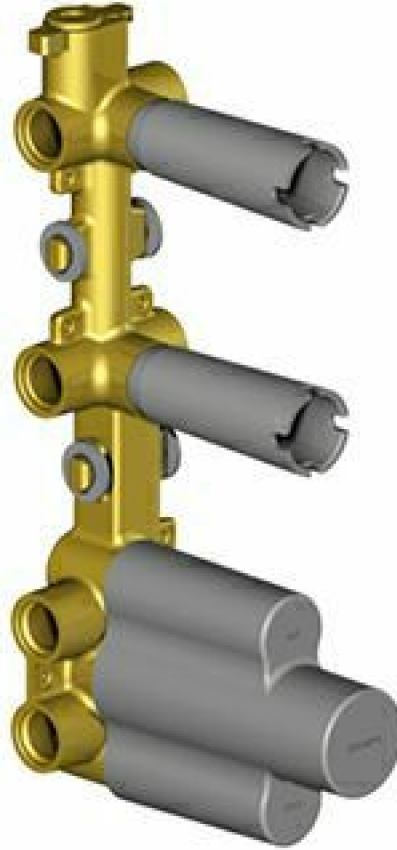


## INCASSI\_BUILT-IN PARTS

R97821

Parte incasso. / Built-in part.



Parte incasso per miscelatore termostatico da 1/2" con 2 rubinetti d'arresto.

Built-in part for 1/2" thermostatic mixer with 2 stop valves.

## Finiture / Finishes

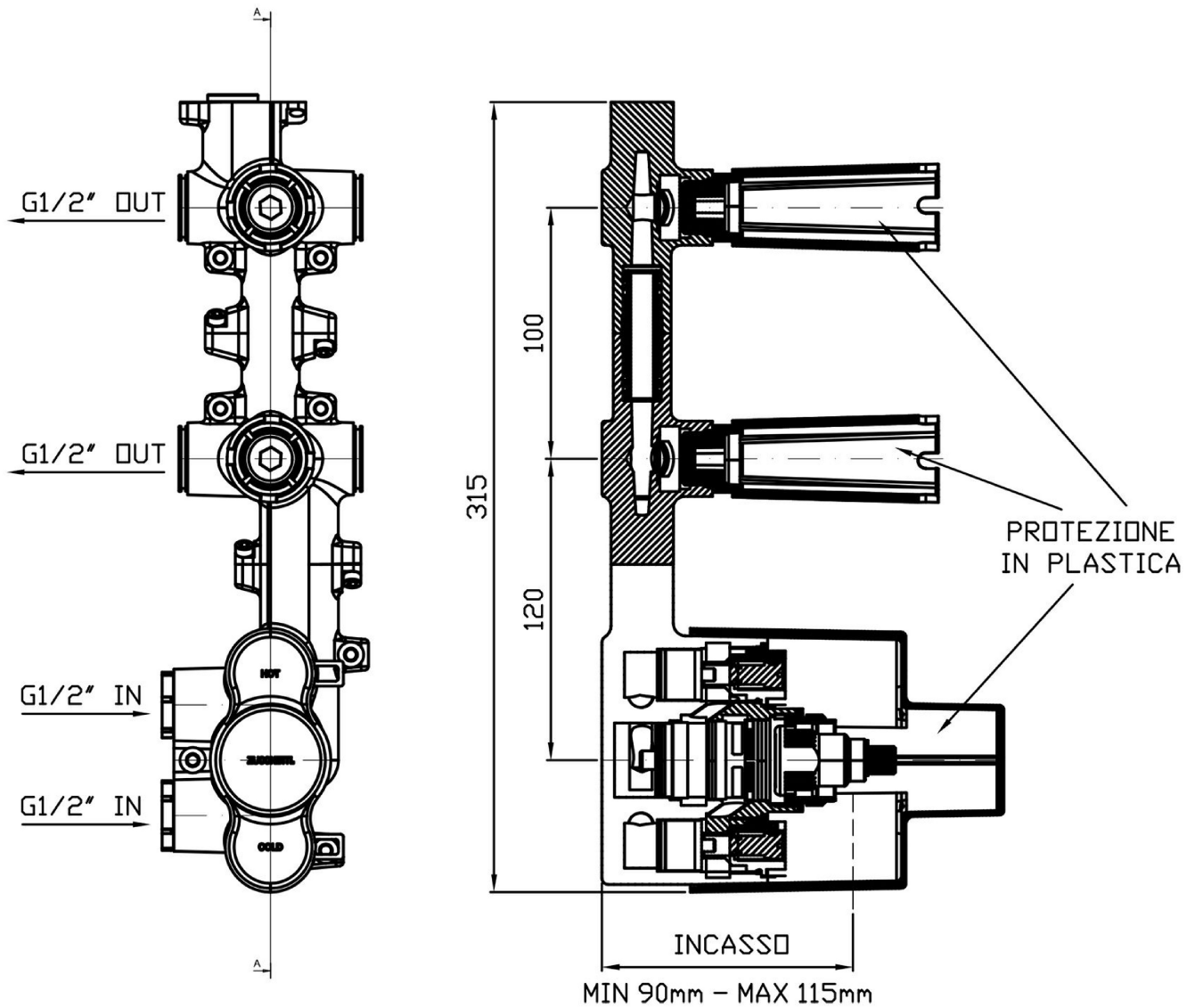


Cromo / Chrome

## INCASSI\_BUILT-IN PARTS

R97821

Disegno Complessivo / Overall Drawing



## INCASSI\_BUILT-IN PARTS

R97821 Certificazioni / Certifications

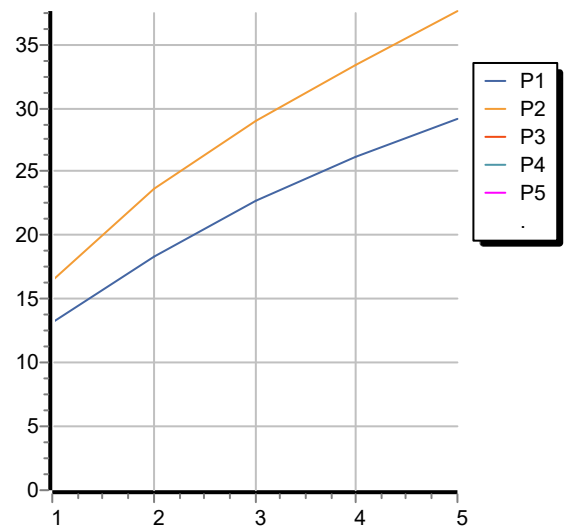
INGHILTERRA

UK APPROVAL KIWA

## INCASSI\_BUILT-IN PARTS

R97821 Portate / Flowrates (lt/min)

PRESSIONE PRESSURE	1 BAR	2 BAR	3 BAR	4 BAR	5 BAR
1 RUBINETTO APERTO <i>P1</i>	13,2	18,4	22,7	26,2	29,2
2 RUBINETTO APERTI <i>P2</i> 2 TAPS OPENED	16,5	23,6	29	33,3	37,6
<i>P3</i>					
<i>P4</i>					
<i>P5</i>					



## INCASSI\_BUILT-IN PARTS

R97821 Pesì e Misure / Weights and Sizes

Peso ( Kg ) Weight ( lb )	3,00 ( Kg )	6,61 ( lb )
Volume test ( dc3 ) - ( in3 )	11,03 ( dc3 )	673,09 ( in3 )
h ( mm ) - ( in )	135,00 ( mm )	5,31 ( in )
L1 ( mm ) - ( in )	172,00 ( mm )	6,77 ( in )
L2 ( mm ) - ( in )	475,00 ( mm )	18,70 ( in )

